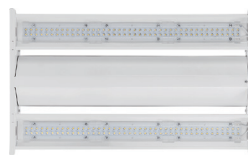


## Applications:

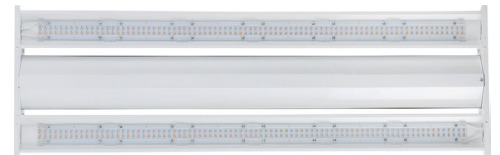
Suitable for commercial, retail and institutional applications including gymnasiums, factories and warehouses.

## Features

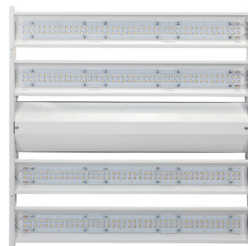
- Offering quality lighting and excellent energy savings compared to linear fluorescent and HID highbay fixtures.
- Voltage is 120-277V & 347V/480V.
- Lumen output from 13500-61000lm with efficacy up to 150lm/W.
- PIR Sensor optional and supports Emergency Battery.
- Standard 1-10V dimming.
- Chain, pendant and surface mounting available.
- Projected life span of 50,000 hrs.
- Operating temperature is -40°C to 55°C (-40°F to 131°F)
- UL/cUL damp location and DLC qualified.



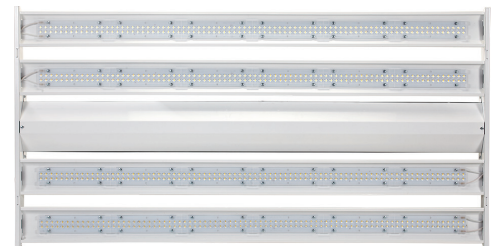
95W & 130W



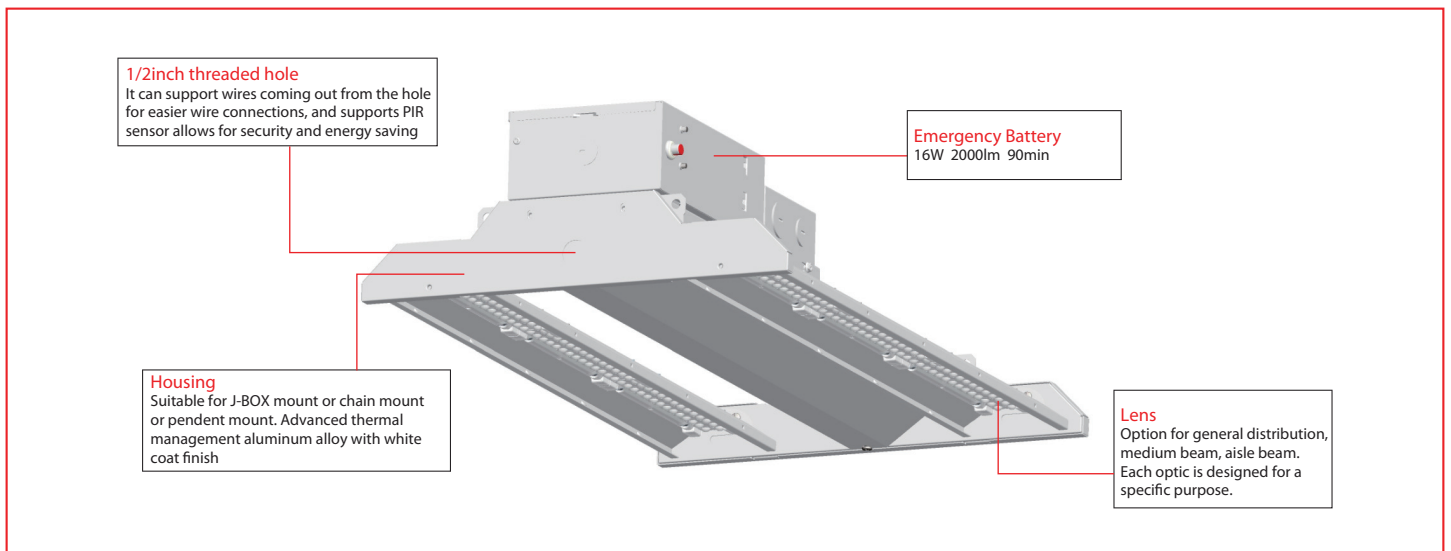
160W & 200W



160W



250W & 320W & 400W



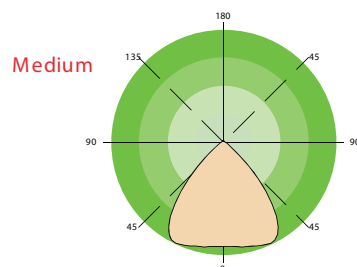
## PERFORMANCE DATA

SYSTEM WATTS	SIZE	VOLTAGE	4000K(CRI70)		5000K(CRI70)	
			LUMENS	LPW	LUMENS	LPW
95W	1x2FT	120-277VAC	13500lm	142lm/W	13800lm	145lm/W
110W	1x2FT	347/480VAC	14800lm	135lm/W	15100lm	137lm/W
130W	1x2FT	120-277VAC/347-480V	18000lm	138lm/W	18500lm	142lm/W
160W	1x4FT	120-277VAC	23500lm	147lm/W	24000lm	150lm/W
170W	1x4FT	347/480VAC	23900lm	141lm/W	25000lm	147lm/W
200W	1x4FT	120-277VAC	29500lm	148lm/W	30000lm	150lm/W
220W	1x4FT	347/480VAC	30400lm	138lm/W	31000lm	141lm/W
160W	2x2FT	120-277VAC	23500lm	147lm/W	24000lm	150lm/W
170W	2x2FT	347/480VAC	23900lm	141lm/W	24500lm	144lm/W
250W	2x4FT	120-277VAC/347-480V	35500lm	142lm/W	36000lm	144lm/W
320W	2x4FT	120-277VAC	47000lm	147lm/W	48000lm	150lm/W
350W	2x4FT	347/480VAC	49000lm	140lm/W	50000lm	143lm/W
400W	2x4FT	120-277VAC	58500lm	146lm/W	60000lm	150lm/W
420W	2x4FT	347/480VAC	60000lm	143lm/W	61000lm	145lm/W

## ELECTRICAL DATA

Number Of Drivers	Driver Current (mA)	Nominal Power (W)	INPUT VOLTAGE (V)	CURRENT (Amps)
1	2500	95	120	0.79
		95	208	0.46
		95	240	0.40
		95	277	0.34
2	3260	130	120	1.08
		130	208	0.63
		130	240	0.54
		130	277	0.47
2	3200	130	347	0.37
		130	480	0.27
		160	120	1.33
2	4240	160	208	0.77
		160	240	0.67
		160	277	0.58
		170	347	0.49
		170	480	0.35
		200	120	1.67
2	5200	200	208	0.96
		200	240	0.83
		200	277	0.72
		220	347	0.63
		220	480	0.46
		250	120	2.08
4	6520	250	208	1.20
		250	240	1.04
		250	277	0.90
		250	347	0.72
4	6400	250	480	0.52
		320	120	2.67
		320	208	1.54
4	8480	320	240	1.33
		320	277	1.16
		350	347	1.01
		350	480	0.73
		400	120	3.33
		400	208	1.92
4	10400	400	240	1.67
		400	277	1.44
		420	347	1.21
		420	480	0.88

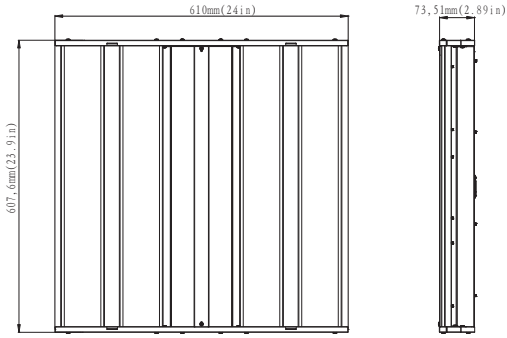
## PHOTOMETRICS



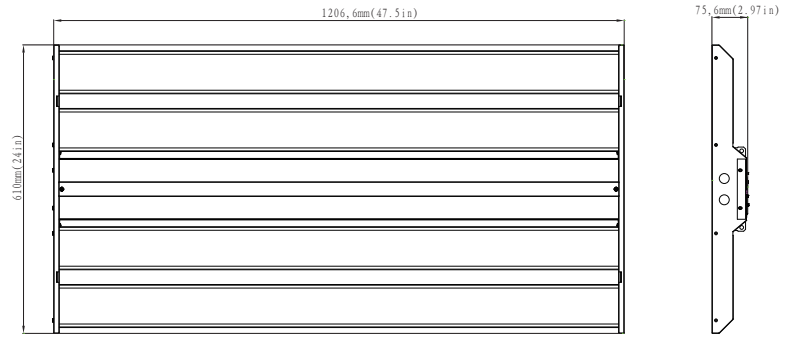
## DIMENSION

unit: inch/mm

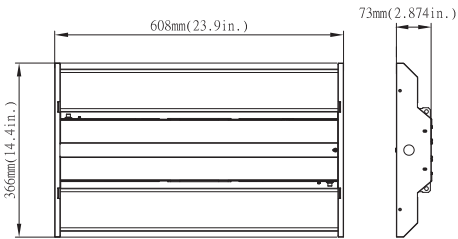
2x2'



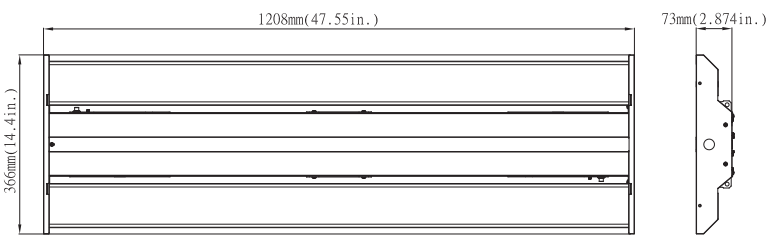
2x4'



1x2'



1x4'



## ORDERING GUIDE

Example: HBL12D95W27V40KBMMDB

Fixture Type	Size	Wattage	Voltage	CCT	CRI	Sensor (Option)	Diffuser	Backup Battery (Option)
HBL Linear High Bay	22D 2FT*2FT 24D 2FT*4FT 12D 1FT*2FT 14D 1FT*4FT	95 95W 130 130W 160 160W 170 170W 200 200W 220 220W 250 250W 320 320 W 350 350 W 400 400 W 420 420 W	27V 120-277V 48V 347V-480V 347V/480V	40K 4000K 50K 5000K	B ≥70	M Motion Sensor Blank Without Sensor	MD Medium Lens	B Emergency Battery Blank Without Emergency Battery

Note : 1. External Motion Sensor, optional for on/off type and bi-level type.  
 2. 170W, 220W, 350W and 420W are limited to 347V or 480V input only.

DLC Model NO.

SYSTEM WATTS	VOLTAGE	CCT	LENS	DLC NO.	DLC Classification
95W	120-277V	4000K	Mideum Lens	HBL12D95W27V40KB[Blank,M]MD[Blank,B]	Premium
	120-277V	5000K	Mideum Lens	HBL12D95W27V50KB[Blank,M]MD[Blank,B]	Premium
130W	120-277V	4000K	Mideum Lens	HBL12D130W27V40KB[Blank,M]MD[Blank,B]	Premium
	120-277V	5000K	Mideum Lens	HBL12D130W27V50KB[Blank,M]MD[Blank,B]	Premium
	347-480V	4000K	Mideum Lens	HBL12D130W48V40KB[Blank,M]MD[Blank,B]	Premium
	347-480V	5000K	Mideum Lens	HBL12D130W48V50KB[Blank,M]MD[Blank,B]	Premium
160W	120-277V	4000K	Mideum Lens	HBL14D160W27V40KB[Blank,M]MD[Blank,B]	Premium
	120-277V	5000K	Mideum Lens	HBL14D160W27V50KB[Blank,M]MD[Blank,B]	Premium
170W	347/480V	4000K	Mideum Lens	HBL14D170W48V40KB[Blank,M]MD[Blank,B]	Premium
	347/480V	5000K	Mideum Lens	HBL14D170W48V50KB[Blank,M]MD[Blank,B]	Premium
200W	120-277V	4000K	Mideum Lens	HBL14D200W27V40KB[Blank,M]MD[Blank,B]	Premium
	120-277V	5000K	Mideum Lens	HBL14D200W27V50KB[Blank,M]MD[Blank,B]	Premium
220W	347/480V	4000K	Mideum Lens	HBL14D220W48V40KB[Blank,M]MD[Blank,B]	Premium
	347/480V	5000K	Mideum Lens	HBL14D220W48V50KB[Blank,M]MD[Blank,B]	Premium
160W	120-277V	4000K	Mideum Lens	HBL22D160W27V40KB[Blank,M]MD[Blank,B]	Premium
	120-277V	5000K	Mideum Lens	HBL22D160W27V50KB[Blank,M]MD[Blank,B]	Premium
170W	347/480V	4000K	Mideum Lens	HBL22D170W48V40KB[Blank,M]MD[Blank,B]	Premium
	347/480V	5000K	Mideum Lens	HBL22D170W48V50KB[Blank,M]MD[Blank,B]	Premium
250W	120-277V	4000K	Mideum Lens	HBL24D250W27V40KB[Blank,M]MD[Blank,B]	Premium
	120-277V	5000K	Mideum Lens	HBL24D250W27V50KB[Blank,M]MD[Blank,B]	Premium
	347-480V	4000K	Mideum Lens	HBL24D250W48V40KB[Blank,M]MD[Blank,B]	Premium
	347-480V	5000K	Mideum Lens	HBL24D250W48V50KB[Blank,M]MD[Blank,B]	Premium
320W	120-277V	4000K	Mideum Lens	HBL24D320W27V40KB[Blank,M]MD[Blank,B]	Premium
	120-277V	5000K	Mideum Lens	HBL24D320W27V50KB[Blank,M]MD[Blank,B]	Premium
350W	347/480V	4000K	Mideum Lens	HBL24D350W48V40KB[Blank,M]MD[Blank,B]	Premium
	347/480V	5000K	Mideum Lens	HBL24D350W48V50KB[Blank,M]MD[Blank,B]	Premium
400W	120-277V	4000K	Mideum Lens	HBL24D400W27V40KB[Blank,M]MD[Blank,B]	Premium
	120-277V	5000K	Mideum Lens	HBL24D400W27V50KB[Blank,M]MD[Blank,B]	Premium
420W	347/480V	4000K	Mideum Lens	HBL24D420W48V40KB[Blank,M]MD[Blank,B]	Premium
	347/480V	5000K	Mideum Lens	HBL24D420W48V50KB[Blank,M]MD[Blank,B]	Premium