

# UP DOWN ALUMINUM CHANNEL

## Description:

The Up Down Aluminum Channel is a versatile lighting accessory designed for both vertical and horizontal applications. When installed vertically, it throws light in two directions, making it perfect for up-down lighting on walls. Meanwhile, when mounted horizontally, it creates a reflected wash effect on roofs and flat surfaces. This extrusion is made from durable aluminum material, ensuring long-lasting use.

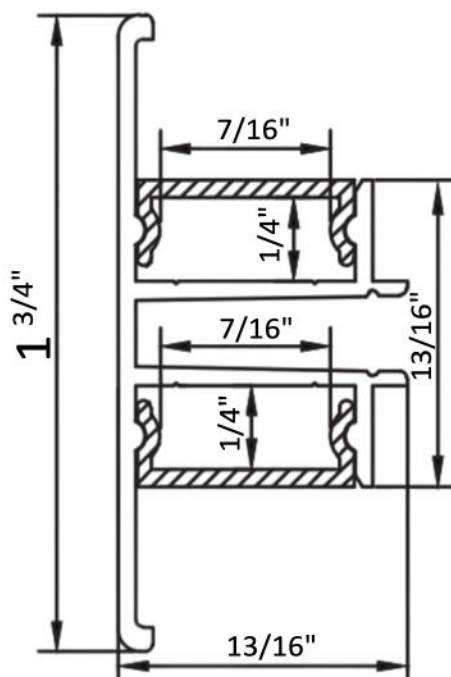


## Applications:

Can be installed in:

- Hotels
- Living rooms
- Corridor
- Decoration application

## Dimensions:



## Specifications:

SKU	AE-040L-Up Down-2M
Material	Aluminum 6063
Surface process	Anodic oxidation
Lens	Clear / Frosted
Diffuser material	PC/PMMA
Inside Width For Max Strip PCB	0.47"
End cap material	Aluminum 1070/ABS
Clips material	PC/SUS304
Length	6.4ft
UV resistant	Yes
Warranty	1 year

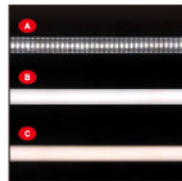
## Accessories:



LED Aluminum Profile  
3.2ft - 9.8ft



PC COVER  
A. Transparent  
B. Frosted  
C. Milky



PC Cover for LED light  
A. Transparent  
B. Frosted  
C. Milky



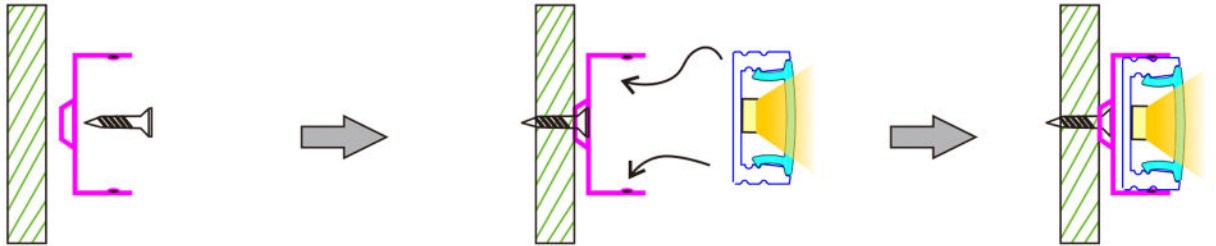
Mounting Clip  
Plastic



Connector  
Metal  
Inside/Outside  
Straight/X-Shape  
L-Shape/T-Shape

## Installation and Service Environment:

### 1. With Clip:



### 2. Walk along the wall in various directions Support Straight Connection, L/T/X-shape Connector.

