

## TRACK HEAD-UNIVERSAL HOLDER

### Description:

Track lighting is a method of lighting where fixtures are attached anywhere on a continuous track device which contains electrical conductors. This is in contrast to directly routing electrical wiring to individual light positions.

### Features:

- There are also adapters that allow for various track layout configurations; corners ("L") and branches ("T") are the most common.
- Wattage: 150
- Finish: White and black
- Voltage: 120V AC
- Medium base

### Compatible bulbs:

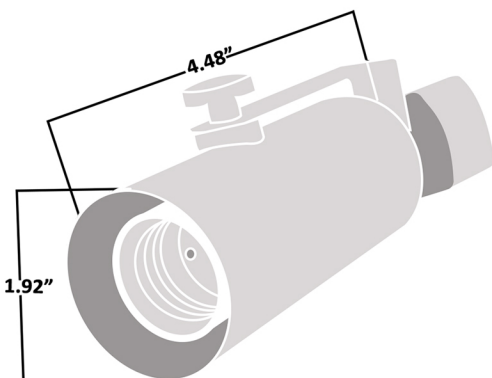
- PAR-16
- PAR-20
- PAR-30
- PAR-38



- BR-20
- BR-30
- BR-40



### Dimensions:



### Ordering Guide: ( Track Head)

Example: NUVO-TH226-UNI HOLDER-WH

Model No. <input type="text"/>	Holder type <b>UNI HOLDER</b>	Finish <input type="text"/>
<b>NUVO-TH226</b> <b>NUVO-TH227</b>		<b>WH</b> (White) <b>BK</b> (Black)

## Accessories:

### 1. Conduit connector



### Ordering Guide: (Conduit Connector)

Example: NUVO-TP169-LIVE END-WH

Model No. <input type="text"/>	Holder type <b>LIVE END</b>	Finish <input type="text"/>
<b>NUVO-TP169</b> <b>NUVO-TP170</b>		<b>WH</b> (White) <b>BK</b> (Black)

### 2.L connector for track

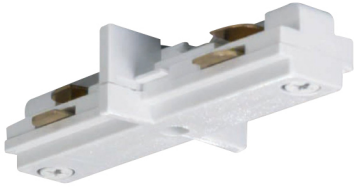


### Ordering Guide: (L Connector)

Example: NUVO-TP146-CONN-L-WH

Model No. <input type="text"/>	Holder type <b>CONN-L</b>	Finish <input type="text"/>
<b>NUVO-TP146</b> <b>NUVO-TP147</b>		<b>WH</b> (White) <b>BK</b> (Black)

### 3. Straight I connector



Ordering Guide: (Straight I Connector) Example: NUVO-TP144-CONN-S-WH

Model No. <input type="text"/>	Holder type <b>CONN-S</b>	Finish <input type="text"/>
<b>NUVO-TP144</b> <b>NUVO-TP145</b>		<b>WH</b> (White) <b>BK</b> (Black)

### 4.T Joiner/Connector



Ordering Guide: (T Connector) Example: NUVO-TP148-CONN-T-WH

Model No. <input type="text"/>	Holder type <b>CONN-T</b>	Finish <input type="text"/>
<b>NUVO-TP148</b> <b>NUVO-TP149</b>		<b>WH</b> (White) <b>BK</b> (Black)

5.Track lighting rails



Ordering Guide: (Track lighting rails)		Example: NUVO-TR120-4'-WH	
Model No. <input type="text"/>	Length <input type="text"/>	Finish <input type="text"/>	
NUVO-TR120 NUVO-TR121	4'	<b>WH</b> (White) <b>BK</b> (Black)	
NUVO-TR122 NUVO-TR123	8'		
NUVO-TR124 NUVO-TR125	6'		