

# RGB+CCT 6" SMART DOWNLIGHT

## Description:

This downlight is capable of changing colors and can be used to enhance the ambiance of various settings. It is designed to provide even distribution of light across a broad beam angle and can be installed in a standard 6-inch canister. You can operate it wirelessly using a remote control, either handheld or wall-mounted (sold separately) or via your smartphone using a Wi-Fi Gateway, which is also sold separately.



## Features:

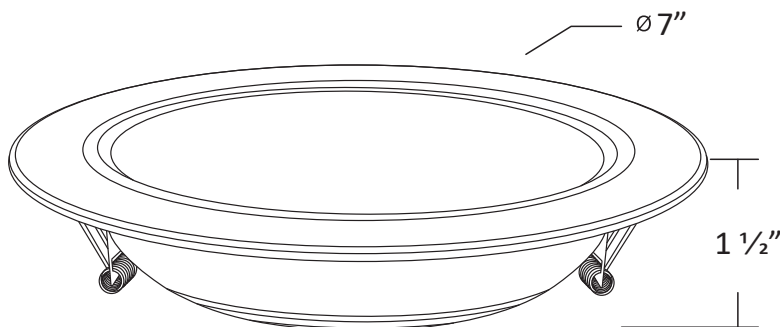
- 16 Million Color Combinations
- Wireless range of up to 98.4 ft without obstruction
- Adjustable color temperature from 2700K to 6500K
- Compatible with ORA SMART GATEWAY for smartphone control
- Smooth Dimming and Color Blending capabilities
- Compatible with third-party voice control (requires ORA Wi-Fi Gateway)
- Signal mesh and mode synchronization.



## Applications:

- Offices
- Homes
- Retail Stores
- Hotels

## Dimensions:



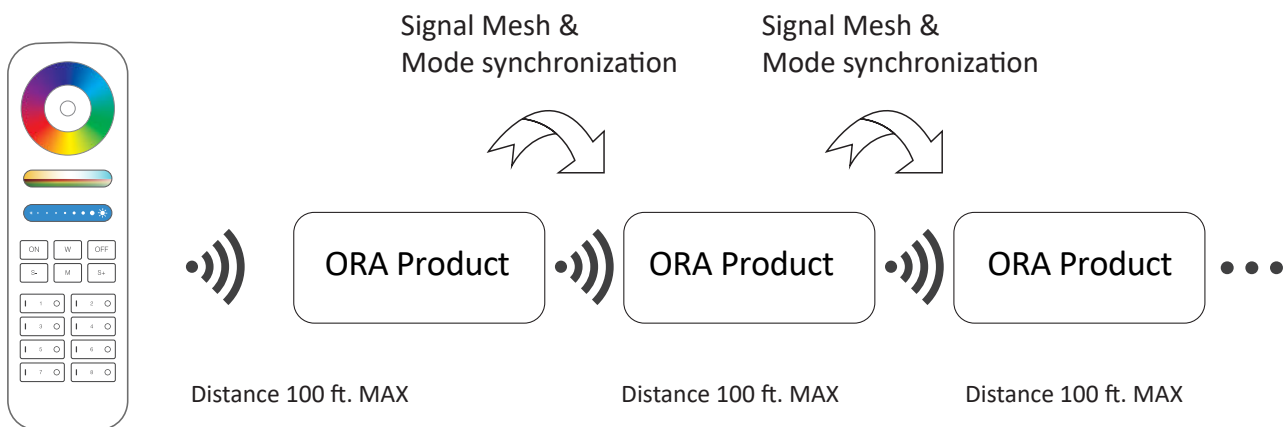
Hole Size:  $\varnothing 5.70'' \sim 5.90''$

**Technical Specifications:**

<b>Model No.</b>	MILI-DWN-12W-5'-RGBCB
<b>Input Voltage</b>	AC100~240V 50/60Hz
<b>Power</b>	12W
<b>Working Temperature</b>	-4°F~113°F
<b>Color Temperature</b>	2700K~ 6500K
<b>Lumens</b>	1100LM
<b>Light Efficiency</b>	88LM/W
<b>CRI</b>	>80
<b>PF</b>	0.5
<b>Beam Angle</b>	120°
<b>Material</b>	Aluminum + Polycarbonate Cover
<b>RF</b>	2.4GHz
<b>Product Weight</b>	0.70 lbs
<b>Lifespan</b>	50,000 Hours
<b>Control Distance</b>	98.4 ft

**Signal Mesh:**

Any ORA products can repeat or relay 2.4GHz RF signals (Radio Frequency) from any ORA Wi-Fi Gateway, ORA remote, or ORA LED Controller within a 98.4 ft distance from each other. Signal transmission can occur multiple times, between multiple products in different zones, and controlled by different products. This network of ORA products forms an RF mesh to allow for easier and faster transmission of commands.



**Link/Unlink:**

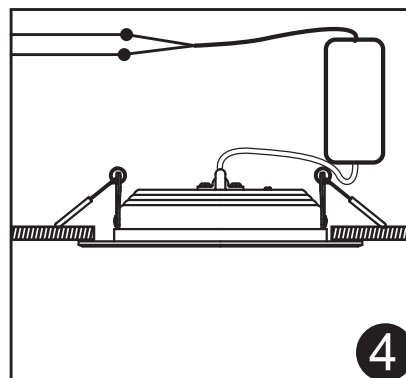
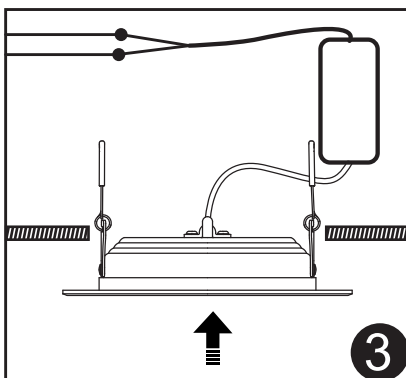
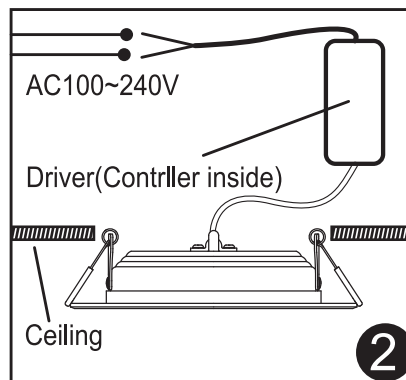
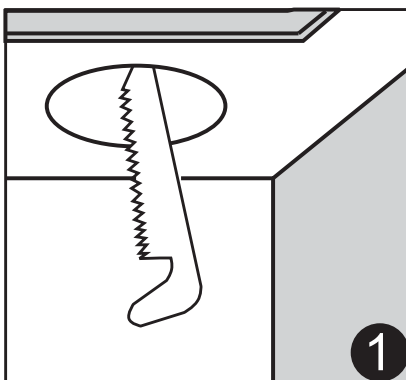
Compatible with these remote controls (Purchased separately)



**Light can work after linking with the remote;  
for more details, please read the remote instruction.**

**Installation:**

1. Cut open hole in the ceiling with a hole saw, or a sheet rock knife.
2. Connect the driver properly according to the wire connection Diagram 2 to 120v AC. And then put the driver and wire into the ceiling from the hole.
3. Push the two torsion springs up, above the hole. Allow them to slowly deploy and anchor to the back of the ceiling Diagram 3 and 4.



**ATTENTION:**

1. When installing the light fixtures, please switch off the power to ensure safety.
2. Please check whether the input voltage supply is in accordance with the lighting fixtures.
3. Do not open / disassemble the fixture.
4. Not for use in wet locations. Use caution when installing.
5. NON-DIMMABLE. NOT FOR USE WITH ANY WALL DIMMER



Made in China