

RGB ROTARY WALL REMOTE (RF) SR SERIES

Description:

This RGB Rotary Wall Remote is a wireless remote that uses RF (Radio Frequency) to control RGBW strip lights using our 4 Channel Controller (RF) SR Series.



Features:

- SKU: CONT-SR-2836-RGB-US
- Range: up to 65 ft
- Dimming range of 0.1%-100%
- ON/OFF
- Color Control
- Radio Frequency (RF) communication
- Communicates with unlimited receivers within 65 ft
- Battery life lasts up to five years

Technical Specifications:

Voltage	3VDC
Output Signal	RF signal
Power consumption	10 mA
Operating temperature	0-40°C
Relative humidity	8% to 80%
Radio frequency	916.5MHz
IP Grade	IP20

Dimension:



Function Introduction:

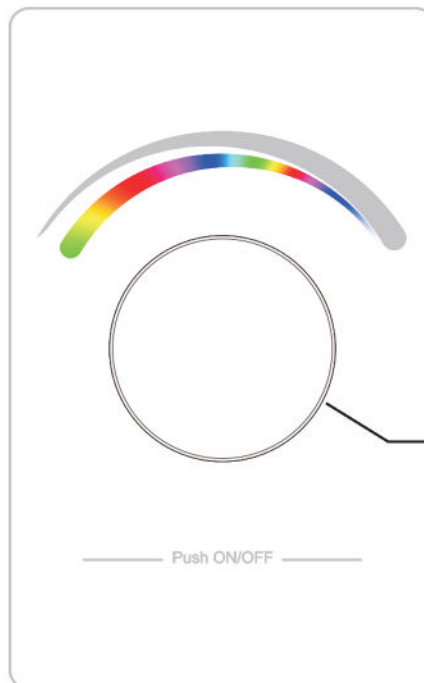
Use the knob counterclockwise on the remote control:

1. Rotate the knob counterclockwise to decrease the light intensity from 100% to 1% in brightness mode.
2. Rotate the knob counterclockwise to change the RGB color in RGB color mode.



Use the knob clockwise on the remote control:

1. Rotate the knob clockwise to increase the light intensity from 1% to 100% in brightness mode.
2. Rotate the knob clockwise to change the RGB color in RGB color mode.

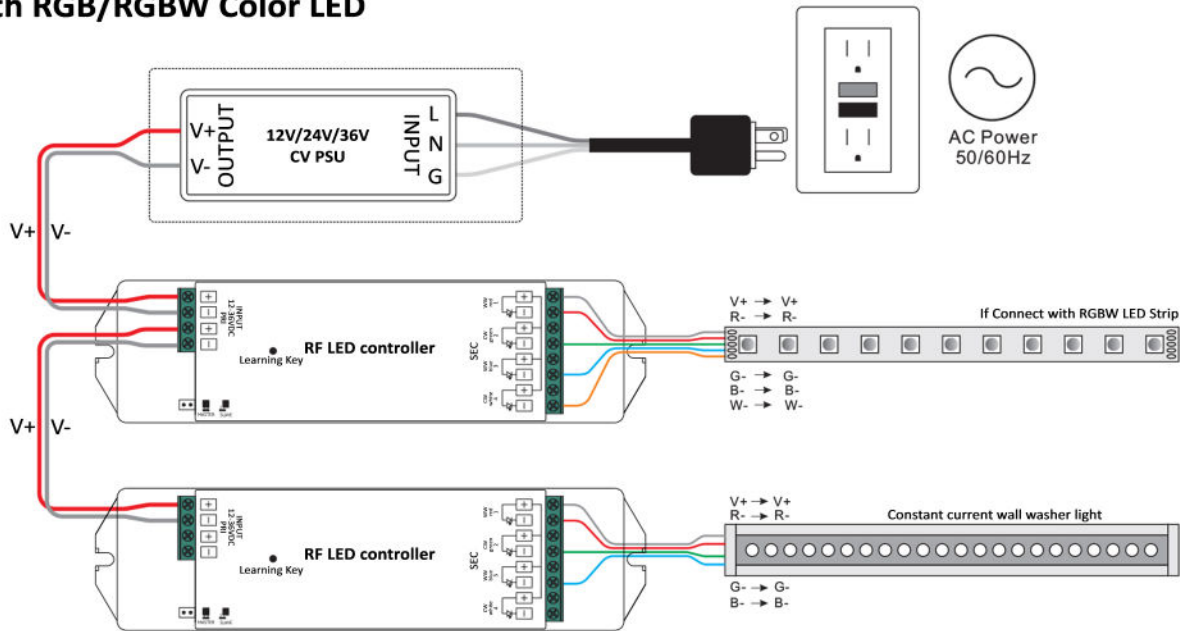


Use the knob on the remote control:

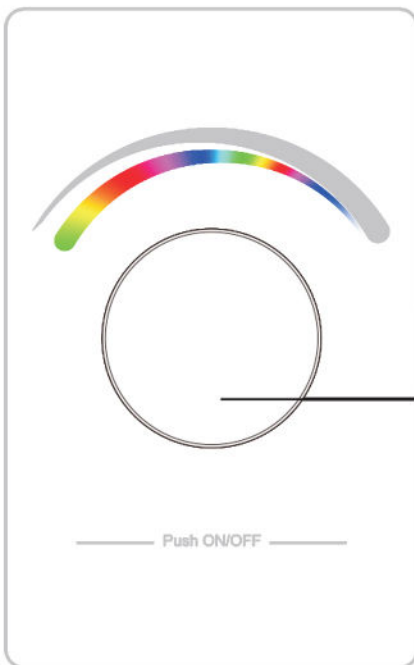
1. Click the knob to switch ON/OFF.
2. Press and hold the knob to adjust the brightness to 100%.
3. Double-click the knob to switch between RGB color mode and brightness mode.

Wiring Diagram:

With RGB/RGBW Color LED



Pair with RF Receiver:



1. Follow the wiring diagram.

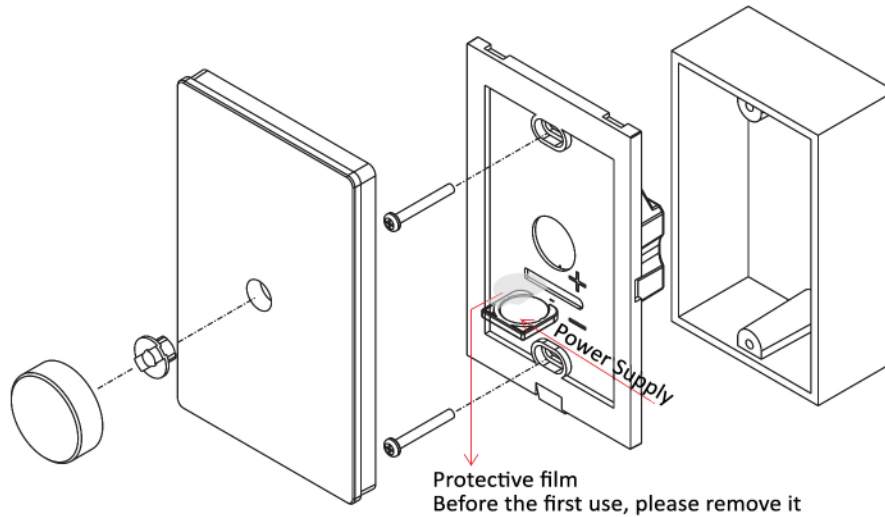


2. Press the "Learning Key" button on the RF receiver to activate pairing mode.

3. Rotate or click the knob on the remote control. If the LED lights connected to the RF receiver flicker once, it means that the receiver has been paired successfully with the remote control.

Note: Each receiver can be paired with up to eight different remote controls.

Installation:



Safety & Warnings:

To ensure safe and proper use of the device, please observe the following precautions:

- * Do NOT install the device with power applied.
- * Do NOT expose the device to moisture.

Compatible Receiver: RGBW 4 Channel Controller (RF) SR Series

- SKU: CONT-SR-1009FA
- Input Voltage: 12-36VDC
- Wattage: 240-720W
- Sold Separately

