

LEXIN

Description:

Slim profile, high output fixture for applications ranging from industrial diesel light towers to ceiling mounted high bay or pole mounted street/parking lot lighting exterior building mounted security lighting. The fixture is made from a rugged die-cast aluminum with weather tight seals. The high aluminum heat sink is designed for high output LEDs.



Features:

- Increased safety with higher lighting levels than traditional HID fixtures
- Solid state lighting technology designed for high performance in demanding environments
- Reduction in consumption of electricity of over 50% when compared to HID
- Instant On/Off, Bi-Level option available with 50% on/off
- Up to 50,000 hours life span
- IP67 - Outdoor Rated
- Shock and vibration safe lighting technology
- Contains no hazardous substances and is environmentally friendly
- Easy replacement parts and accessories
- Optical Options: 60°, 120°



Technical Specifications:

Model	LEX-250	LEX-450	LEX-500
Wattage	150W	320W	320W
Input Voltage	120-277V AC, 220-480V AC		
Lumen Output	25,000lm	45,000lm	50,000lm
Color Temperature	5000K		
Beam Angle	120°	60°	120°
Replaces	400W Metal Halide	1200W Metal Halide	1200W Metal Halide

Applications:

- Exterior Security Lighting
- Diesel Light Towers
- Parking Lots
- High Bays
- Stadiums
- Trolley Cranes
- Virginia Cranes
- Crawler Crane Lighting - Easy retro-fit kit (cranes built from 1950s to present)
- 1 to 100 ton Jib crane



Cranes



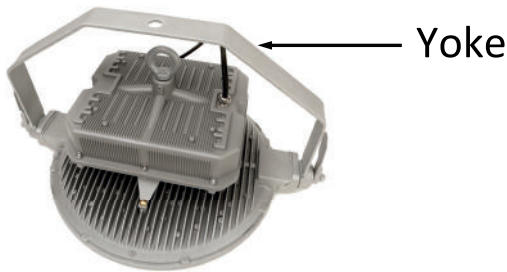
Light Towers

Fixture Color Options:

- Gun Metal Silver

Mounting Options:

- Yoke Mount
- Slip-Fitter

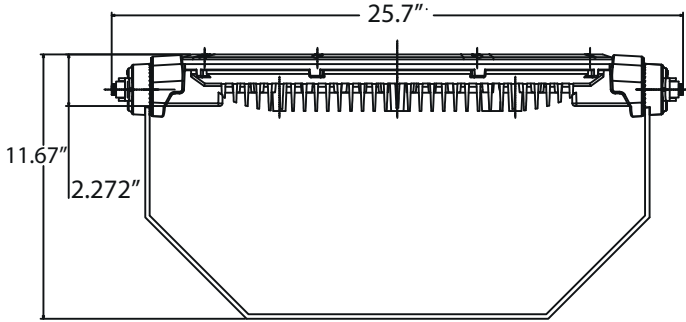


ORDERING GUIDE Example: LEX-250-150W-5000K-YK-DH-SHRD-120V

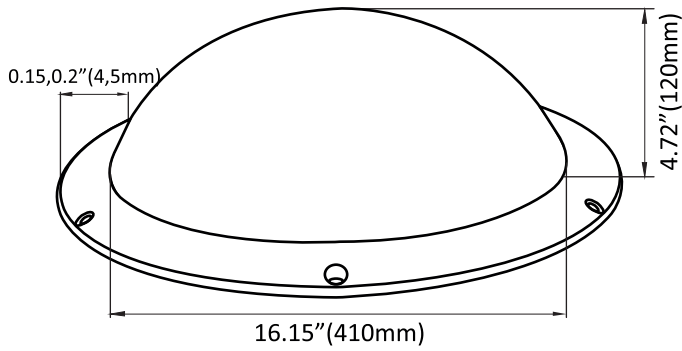
Fixture Type	Wattage	CCT	Mount	Driver Housing	Dome	Shroud	Input Voltage
<input type="checkbox"/>	<input type="checkbox"/>	<input type="checkbox"/>	<input type="checkbox"/>	<input type="checkbox"/>	<input type="checkbox"/>	<input type="checkbox"/>	<input type="checkbox"/>
<input type="checkbox"/> LEX-250 (25,000 lumens) <input type="checkbox"/> LEX-450 (45,000 lumens) <input type="checkbox"/> LEX-500 (50,000 lumens)	<input type="checkbox"/> 150W <input type="checkbox"/> 320W <input type="checkbox"/> 320W	<input type="checkbox"/> 5000K	<input type="checkbox"/> YK (Yoke Mount) <input type="checkbox"/> SF (Slip-fitter)	<input type="checkbox"/> DH (Driver Housing Included) <input type="checkbox"/> Blank (Leave blank if driver housing not required)	<input type="checkbox"/> DM (Dome Included) <input type="checkbox"/> Blank (Leave blank if dome not required)	<input type="checkbox"/> SHRD (Shroud Included) <input type="checkbox"/> Blank (Leave blank if shroud not required)	<input type="checkbox"/> 120V 120-277V AC <input type="checkbox"/> 480V 220-480V AC

Dimensions:

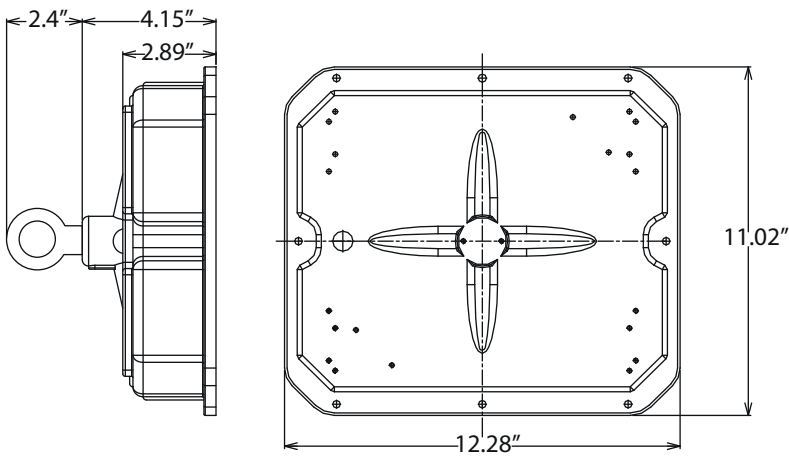
Lexin:



Dome:



Driver Housing:



Accessories:

Junction Box Connector:

- Included with a complete light fixture without driver housing.
- Material: Die Cast Aluminum
- Finish: Gun Metal Silver
- Style: Rigid/IMC Type LB Conduit Body
- Size: 2"
- Length: 10 1/16"
- Width: 3 3/16"
- Used to make all Lexin DC connections



Shroud (Optional):

- Material: Steel
- Finish: Gun Metal Silver (Standard)
- Optional Finishes: Matte White, Jet Black, Bronze, Custom
- Dark Sky Compliant
- Used to focus light on work site



Diffuser - Dome (Optional):

- Material: Polycarbonate
- Beam Angle: 200°
- Secondary optic designed to distribute intense light with glare reduced uniform output.



Industrial Driver Housing:

- Material: Die Cast Aluminum
- Finish: Gun Metal Silver (Standard)
- Optional Finishes: Matte White, Jet Black, Bronze, Custom
- 2 150W Drivers Capacity
- Hook mount with security steel chain for High Bay application indoor or outdoor



LED Power Supply:

- Input Voltage: 100-277V AC or 347-480V AC
- Output Voltage: 36V DC (for LED250 and LEX 500) or 48V DC (for LEX 450)



Accessories:

The Backup Battery:

- Input voltage is 240-480v AC
- 90 minute emergency backup batter
- Damp location only
- 1 Year warranty
- SKU: LEX-ACC-BATTERY-480V

