

LED CANOPY LIGHT (CNPY05)

Features:

- Sealed die-casting profile for indoor and outdoor applications.
- Input Voltage is 120-277Vac, 347-480Vac (Available on special order only).
- Lumen output from 3750-8000lm with efficacy up to 139lm/W.
- Provide with a PIR sensor ideal for parking garage and optional for emergency battery.
- Replacing 175W MH - 250W MH.
- Operating temperature is -40 °F to 104 °F (-40 °C to 40 °C).

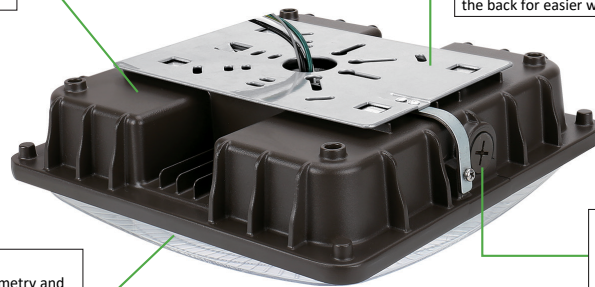


Housing
One piece die cast housing better waterproofing, suitable for both indoor and outdoor application.

Mounting Bracket
Suitable for J-BOX mounting, and easy for installation, also support pendant mounting, wires coming out from the back for easier wire connections.

PHOTOMETRY
Parking Garage Photometry and polycarbonate optical lens with heat resisting.

1/2inch threaded hole
Support wires coming from the hole for easier wire connections. Optional PIRsensor and Emergency Battery.

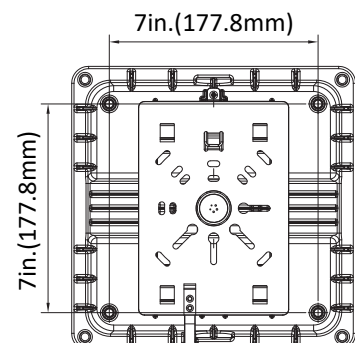
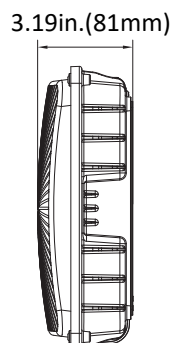
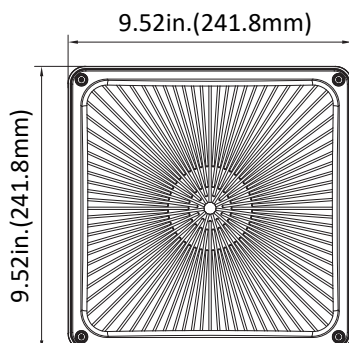


Applications:

- Parking Structures
- Storage Areas
- Shopping Area Walkways
- Entryway
- Low Level Security

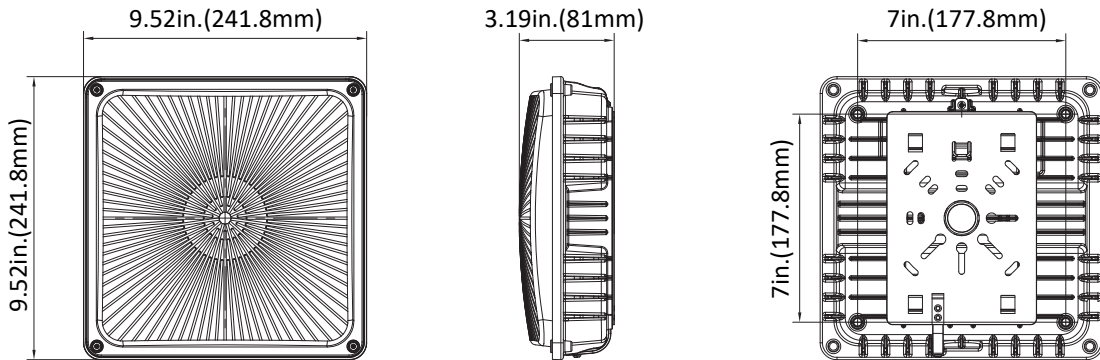
Dimensions:

Net Weight:
40W: 4.166lb



Dimensions:

Net Weight:
60W: 5.070lb



PERFORMANCE DATA

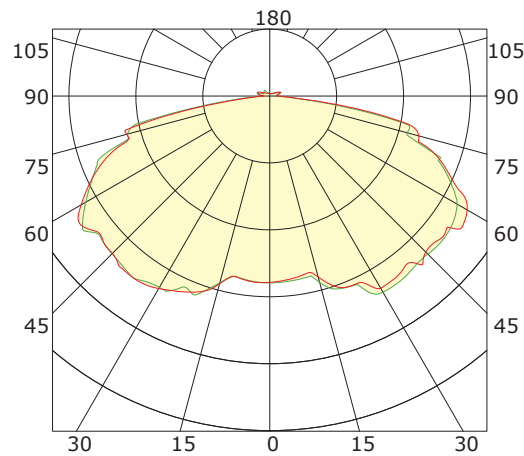
SYSTEM WATTS	PHOTOMETRY	VOLTAGE	LUMENS	LPW	Color Temperature	CRI	REPLACES
40W	Parking Garage	120-277VAC/347-480V	5450lm	136lm/W	5000K	70	175W MH
60W	Parking Garage	120-277VAC/347-480V	8000lm	133lm/W	5000K	70	250W MH

ELECTRICAL DATA

Number Of Drivers	Current Drive (mA)	Nominal Power (W)	Input Voltage (V)	Current (Amps)
1	980	40	120	0.33
		40	208	0.19
		40	240	0.17
		40	277	0.14
	1020	40	347	0.12
		40	480	0.08
1	1500	60	120	0.50
		60	208	0.29
		60	240	0.25
		60	277	0.22
	1600	60	347	0.17
		60	480	0.13

Photometrics:

Parking Garage



ORDERING GUIDE

Example: NUR-CNPY05-40W-5000K-DIM

Fixture Type	Wattage	Input Voltage	Color Temperature	Sensor (Option)
<input type="checkbox"/>	<input type="checkbox"/>	<input type="checkbox"/>	<input type="checkbox"/>	<input type="checkbox"/>
CNPY05	40 40W 60 60W	27V 120-277V 48V 347-480V	50K 5000K	M With Sensor Blank Without Sensor

- Note: 1. 27W is limited to 120-277V input only.
2. Only the Dimmable Version supports emergency battery option.

DLC Model No.

System Watts	Voltage	CCT	DLC No.	DLC Classification
40W	120-277V	5000K	MCP0540W27V50K[D,B,W,SG][Blank,M][Blank,B][Blank,0-9 or A-Z or a-z]	Premium
	120-277V	5000K	MCP0540W27V50K[D,B,W,SG][Blank,M]D[Blank,B][Blank,0-9 or A-Z or a-z]	Premium
	347-480V	5000K	MCP0540W48V50K[D,B,W,SG][Blank,M][Blank,B][Blank,0-9 or A-Z or a-z]	Premium
	347-480V	5000K	MCP0540W48V50K[D,B,W,SG][Blank,M]D[Blank,B][Blank,0-9 or A-Z or a-z]	Premium
60W	120-277V	5000K	MCP0560W27V50K[D,B,W,SG][Blank,M][Blank,B][Blank,0-9 or A-Z or a-z]	Premium
	120-277V	5000K	MCP0560W27V50K[D,B,W,SG][Blank,M]D[Blank,B][Blank,0-9 or A-Z or a-z]	Premium
	347-480V	5000K	MCP0560W48V50K[D,B,W,SG][Blank,M][Blank,B][Blank,0-9 or A-Z or a-z]	Premium
	347-480V	5000K	MCP0560W48V50K[D,B,W,SG][Blank,M]D[Blank,B][Blank,0-9 or A-Z or a-z]	Premium