

LED PLUG LIGHT - VERTICAL - 12W

Description:

Hybrid Drive LED PL retrofit lamps are both electrical ballast and 120-277V line voltage compatible. 12 Watt LED PL Vertical retrofit in a variety of existing lamp G24q base will be replacement for CFL bulbs in a variety existing lamp installations of commercial applications.



Features:

- Die casting Aluminum heat sink
- 6 inch can suitable
- 180° rotatable
- Not for use for totally enclosed fixtures
- Can to retrofit Type IC or non-IC recessed mount listed luminaires
- Universal G24q 4-pin base can retrofits G24q-1, G24q-2, G24q-3, GX24q-2 and GX24q-3
- **Safety Feature:** Automatically shuts off when used with an incompatible electrical ballast.



Technical Specifications:

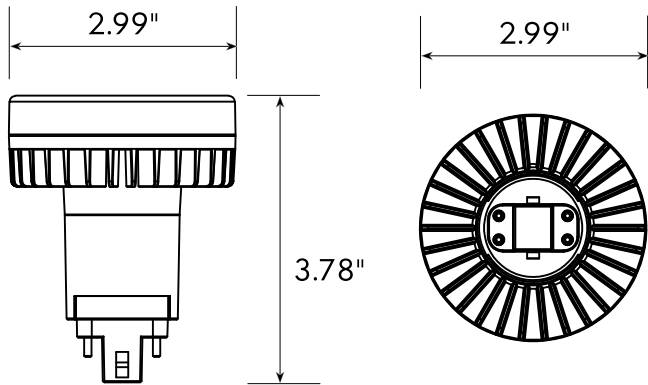
Wattage	12W	
Input Voltage	120-277V AC	
Color Temperature	3000K	5000K
Lumen Output	900 lumens	1100 lumens
Base	G24Q	
Beam Angle	140°	
Operating Temperature	-4°F to 105°F (-20 °C to 40 °C)	
CRI	>80	
Power Factor	>0.9	
Lifetime	50,000 hours	



Applications:

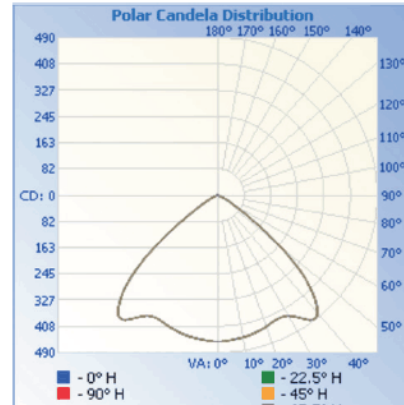
- Triad
- Universal Lighting Technologies
- Hatch Lighting
- OSRAM Sylvania
- Philips Advance
- Energy Savings

Dimensions:



Lighting Distribution:

Single Vertical Lamp



Fixture: Lithonia 6VF 18DDT/T/RT MVOLT

ORDERING GUIDE

Example: NUR-G24-12W-3000K-V

Fixture Type	Wattage	Color Temperature	Orientation
<input type="text"/>	<input type="text"/>	<input type="text"/>	<input type="text"/>
NUR-G24 Plug Light with G24 Base	12 Watts	Warm White Cool White	V Vertical

Accessories:

- **2.8 inch G24Q to GX24Q Extension Adaptor**

SKU: G24-Adaptor-S



ORDERING GUIDE - ADAPTORS

Example: NUR-G24-Adaptor-S

Base Type	Connector	Orientation
<input type="text"/>	<input type="text"/>	<input type="text"/>
G24	Adaptor	S

Ballasts List
Vealite Type A + B PLC is suitable for operation with ballasts from the following models:

Brand	Ballast Description		Compatibility Test Result			
	Electrical Characteristic	Volt	1-Lamp		2-Lamp	
			120 VAC	277 VAC	120 VAC	277 VAC
LUMA PRO	16x954	120-277V	✓	✗	✓	✓
LUMA PRO	4KGJ7	120-277V	✓	✓	✓	✓
LUMA PRO	4KGJ8	120-277V	✓	✓	✓	✓
LUMA PRO	16x959	120-277V	✓	✓	✓	✓
Universal/Triad	C213UNVME	120-277V	✓	✓	✓	✓
Universal/Triad	C218UNVME	120-277V	✓	✓	✓	✓
Universal/Triad	C242UNVME	120-277V	✓	✗	✓	✓
Universal/Triad	C2642UNVME	120-277V	✓	✓	✓	✓
HOWARD INDUSTRIES	EP2/13CF/MV	120-277V	✓	✓	✓	✓
HOWARD INDUSTRIES	EP2/18CF/MV	120-277V	✓	✓	✓	✓
HOWARD INDUSTRIES	EP2/26CF/MV/2	120-277V	✓	✓	✓	✓
GE	GEC218MVPSBES	120-277V	✓	✓	✓	✓
PHILIPS/ADVANCE	ICF-2S18-H1-LD	120-277V	✓	✓	✓	✓
PHILIPS/ADVANCE	ICF-2S26-H1-LD	120-277V	✓	✓	✓	✓
PHILIPS/ADVANCE	ICF-2S42-M2-LD	120-277V	✓	✗	✓	✓
PHILIPS/ADVANCE	ICF-2S13-H1-LD	120-277V	✓	✓	✓	✓
ORSRAM/SYLVANIA	QTP1/2X18CF/UNVDM	120-277V	✓	✓	✓	✓
ORSRAM/SYLVANIA	QTP2/2X26CF/UNVDM	120-277V	✓	✓	✓	✓
ORSRAM/SYLVANIA	QTP1/2X13CF/UNVDM	120-277V	✓	✓	✓	✓
HATCH	HC226PS/UV/D	120-277V	✓	✓	✓	✓
CH	ACT2S26PSUNV	120-277V	✓	✓	✓	✓
STANDARD	31279STD	120-347V	✓	✓	✓	✓
STANDARD	31527STD	120-347V	✗	✓	✗	✓
KEYSTONE	KTEB-213-UV-PS-DW	120-277V	✓	✓	✓	✓
KEYSTONE	KTEB-218-UV-PS-DW	120-277V	✓	✓	✓	✓
KEYSTONE	KTEB-226-UV-PS-DW	120-277V	✓	✓	✓	✓
KEYSTONE	KTEB-218-UV-RS-DW	120-277V	✓	✓	✓	✓
FULHAM	RHAUNV226C	120-277V	✗	✗	✗	✓
FULHAM	WH2120L	120-277V	✓	✗	✓	✗
FULHAM	WH2120C	120-277V	✓	✗	✓	✗
FULHAM	RHAUNV213C	120-277V	✗	✗	✗	✓
FULHAM	RHA-UNV-218-C	120-277V	✗	✗	✓	✓
FULHAM	WH3-120-C	120-277V	✓	✗	✓	✗
FULHAM	WH2-277-L	120-277V	✗	✓	✗	✗
FULHAM	WH3-277L	120-277V	✗	✓	✗	✓
FULHAM	WH4-277-L	120-277V	✗	✓	✗	✓
FULHAM	RHA-UNV-242-C	120-277V	✗	✗	✓	✓

Remarks:

Manufacturer of LED Type A+B PL G24Q Lamps has a limitation of compatibility, not compatible with ALL ballasts, they were tested for compatibility with the above listed electronic ballasts. Ballasts that do not appear on the chart might still be compatible but have not been tested. It is a general recommendation to perform a test on-site before installing the LED lamps.