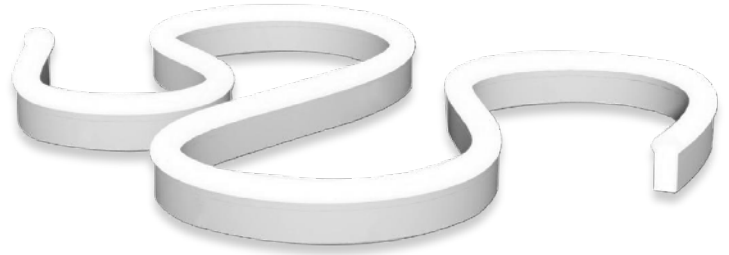


LED NEON FLEX

Description:

Presenting LED Neon Flex: a premium LED strip boasting superior flexibility and quality, ideal for indoor and outdoor applications. With uniform, spotless illumination and IP67 rating, it replaces traditional neon lighting with 90% energy reduction. Available in a range of vibrant colors, including RGB options.



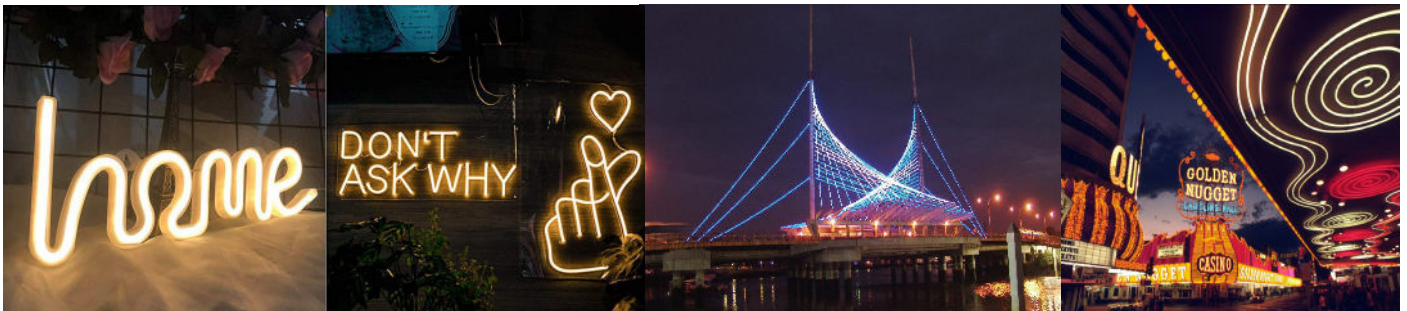
Features:

- Anti-yellowing and heat-resistant silicone for durability and longevity in outdoor conditions
- Chemical acid and alkaline resistance for added longevity.
- Exceptional flexibility, allowing for most shapes
- Uniform and soft luminance with no light spots.
- LEDs encapsulated with pure copper for efficient heat dissipation, stability and a long lifespan
- Leadless SMT technique (RoHS certified) ensuring smooth welding joints and firm LED-to-PCB connections.

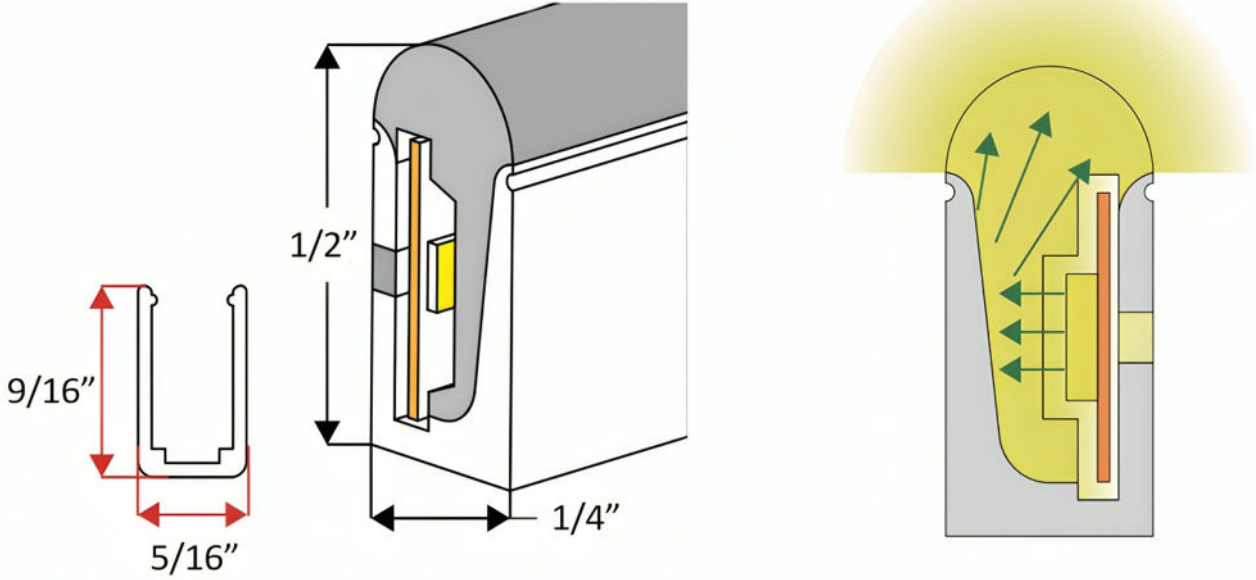


Applications:

- Signboard and corporate branding displays
- Accent and facade lighting for architectural features
- Enhancing ambiance in the hospitality industry
- Illuminating commercial and business centers
- Neon accent to decorate an interior / exterior residential space



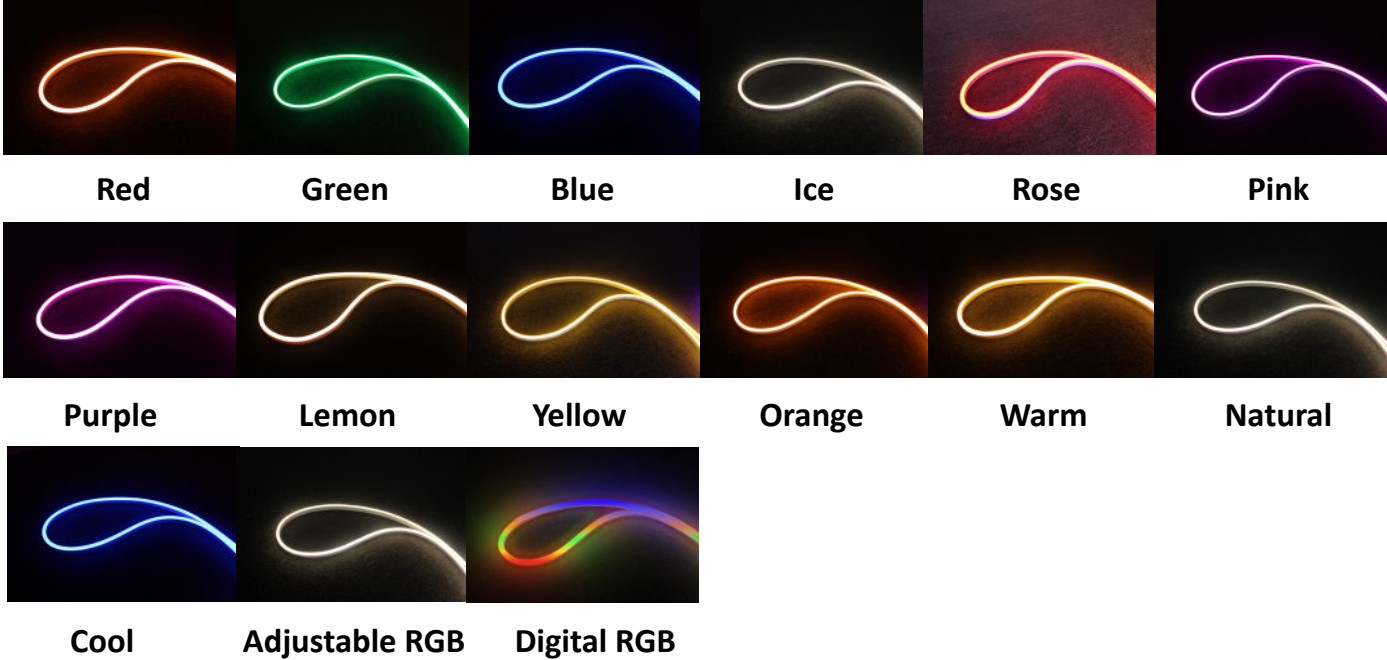
Dimensions:



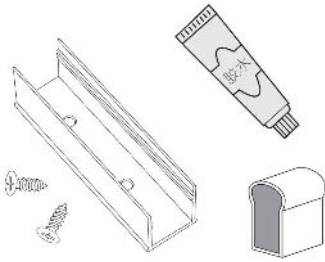
Technical Specifications:

Voltage(V)	12V
Watt/Foot	2.88
LED Type	2835
LED QTY/FOOT	37 LEDs per Foot
Color Temperature	RED/GREEN/BLUE/ICE/ ROSE/PINK/PURPLE LEMON/YELLOW/ORANGE/WARM/NATURAL/ COOL/ADJ/DIGI
Lumens/Foot	>60 Lumens
Cuttable	0.39" or 0.98"
Size	0.31" * 0.62"
Operating Temperature	-4°F ~ 122°F
IP Grade	IP67 Wet Location Rated

Colors:

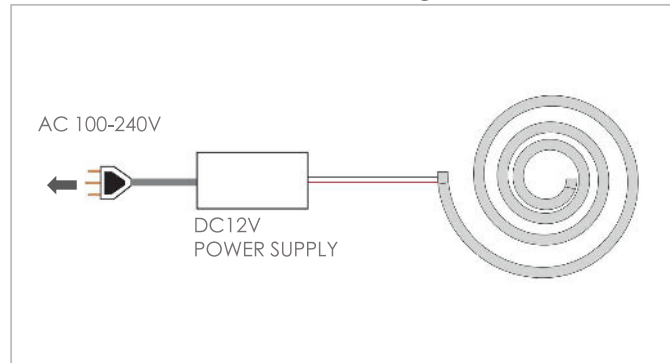


Accessories:



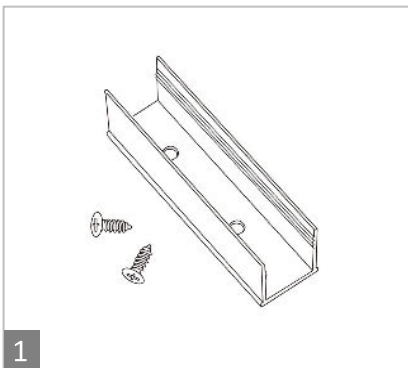
SKU: NUR-NEON-MNT-CLP

Red wire for positive
Black wire is for negative

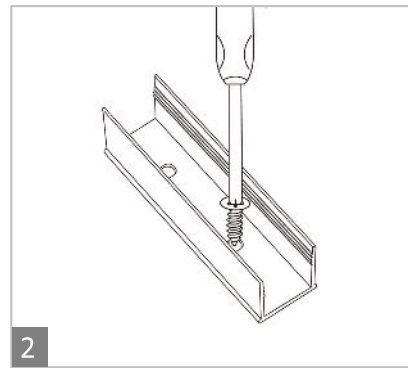


SKU: NUR-NEON-END CAP

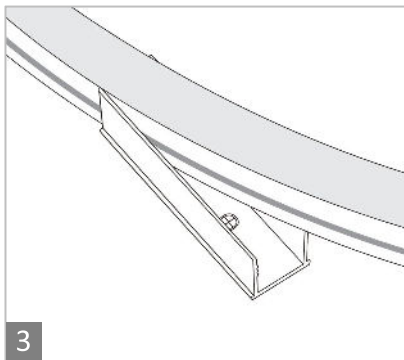
Installation:



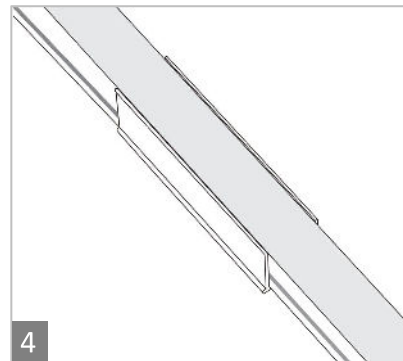
Tools needed: Screws, mounting clip, drill / screwdriver



Mark the location where the mounting clip will be installed and screw the clip into the surface

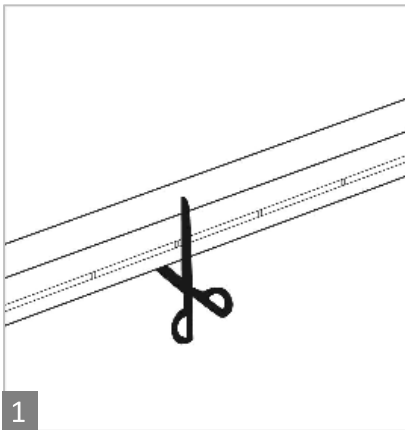


Fit the neon into the clip

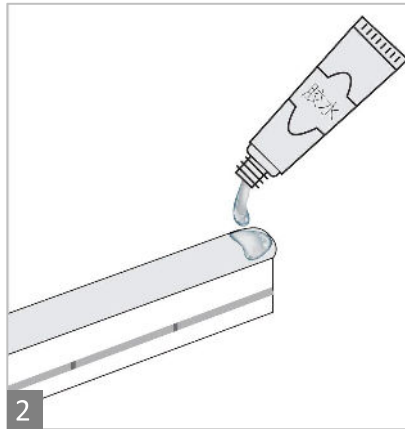


Neon should seat completely into the mounting clip and the top of the neon will be flush with the top of the clip.

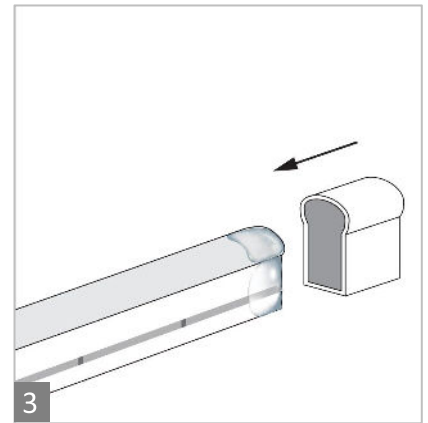
Cutting and Sealing Instructions:



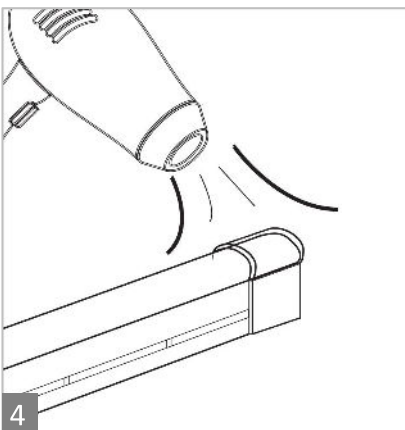
1 Cut only on the black line



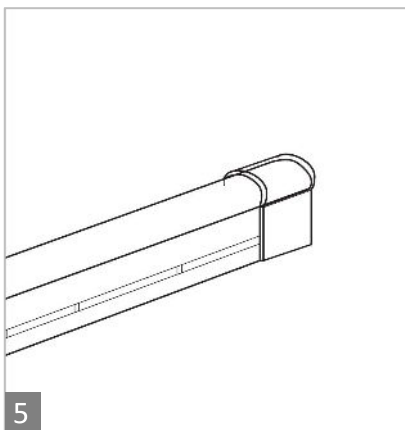
2 Seal terminated end with silicone



3 Fill the end cap with silicone and adhere to the terminated end



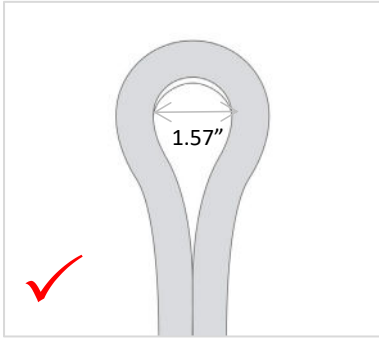
4 Insert terminated end into the end cap



5 Allow for up to 24 hours to cure (or per silicone manufacturers instruction)

Caution:

Please notice that the strips are not bendable in all directions. As per the illustration below, please take note:



When facing the neon, fold the strip. The minimum diameter is 1.57\"

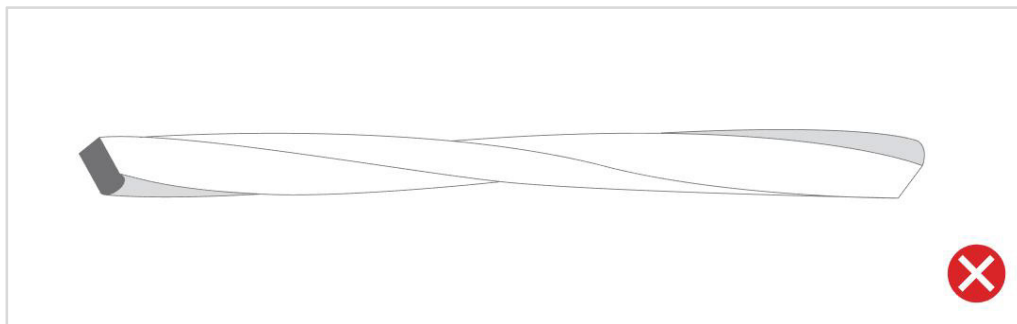
Improper Use:



Do not bend downwards as illustrated



Do not bend upwards as illustrated



(as the picture shows) please do not twist the strip, or it will be damaged LED Neon is a low voltage product, you must use the power supply(transformer). To connect the LED strip directly to the AC 110v or AC220v, otherwise it will burn out the LED strips and lead to failure. Please read the specifications thoroughly before installation

ORDERING GUIDE			
			Example: NUR-NEON-RED-12V-1FT
LED Neon Flex	Color Temperature	Voltage	Length
NUR-NEON		12V	1FT
	RED GREEN BLUE ICE ROSE PINK PURPLE LEMON YELLOW ORANGE WARM NATURAL COOL ADJ DIGI		