

LED DUSK TO DAWN LIGHT

Description:

LED Dusk to Dawn flood lights emit a wide, even spread of light. They are an ideal, energy-efficient solution for security lighting, as well as lighting perimeters, backyards, and service roads. This fixture uses 55-60% less energy than traditional metal halides.



Features:

- Suitable for WET location/Outdoor
- Outstanding thermal solution allows for usage in commercial application
- Built-in UL class 2 driver, optional for photocell
- Optional steel powder coated arm
- Available in durable polyester dark bronze or silver grey powder coat



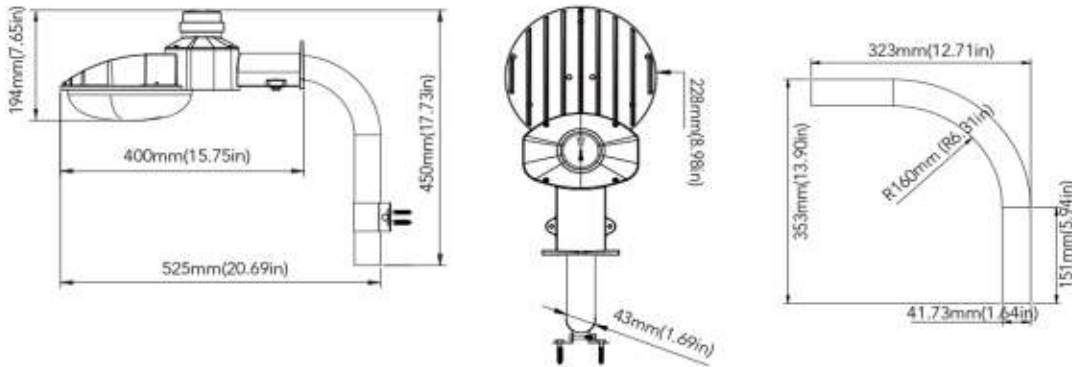
Applications:

- Security lighting
- Perimeter lighting
- Backyards
- Service roads
- General Area Illumination

Technical Specifications:

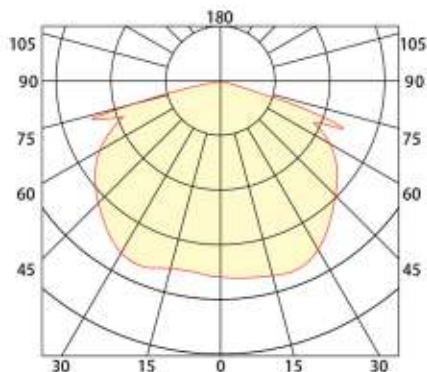
Input Voltage	120-277V AC		
Color Temperature	5000K		
Wattage	45W	65W	70W
Finish	Silver	Silver	Dark Bronze
Lumens	6400lm	8800lm	9600lm
Beam Angle	145°		
IP Rating	IP65		
Life span	50,000 hours		
Warranty	5 Years		

Dimensions:



Net Weight
 45W: 4.53lb
 65W: 4.80lb
 70W: 5.84lb

Photometrics:



Ordering Guide:

Example: NUR-D2D-45W-5000K-SG



Model <input type="text"/>	Wattage <input type="text"/>	Color Temperature <input type="text"/>	Finish <input type="text"/>
NUR-D2D	45W 65W	5000K	SG (Silver)

Ordering Guide:

Example: NUR-FL D2D-70W-5000K-PC

Model <input type="text"/>	Wattage <input type="text"/>	Color Temperature <input type="text"/>	Finish <input type="text"/>
NUR-FL D2D	70W	5000K	PC (Dark Bronze)

Accessories:

	<p>Mounting arm kit (Optional) USE: For pole mounting</p>
	<p>Photocell USE: Photocell is field installed or pre-installed in factory by requesting</p>