

### FLOOD LIGHT-FL05

#### Features:

- Rugged one-piece, die-cast aluminum housing secures the thermally conductive LED panel and electrical chamber.
- Low profile, 3G vibration-rated compact design minimizes wind load requirements.
- Housing is completely sealed against moisture and environmental contaminants.
- Light engines are available in standard 5000K (70 CRI) configurations.
- Optics are precisely designed to shape the distribution, maximizing efficiency and application spacing.
- The optics can conform to dark sky requirement.
- Optional occupancy sensor.
- Optional Photocell.
- Suitable for mounting heights ranging from 26-50' in area lighting applications.
- Designed for an easy, one-person installation.



#### Applications:

- Parking Lots
- Facade Lighting
- Wall Pack
- Billboard Lighting
- Building Lighting
- Grocery Stores and other public areas

#### Wattage Adjustable:

##### 300W

Setting	Voltage	Wattage	Lumens (5000K)	Lumens Per Watt (5000K)
80%	120-277V	240W	33600lm	140lm/W
60%	120-277V	180W	25200lm	140lm/W
40%	120-277V	120W	16800lm	140lm/W

### 250W

Setting	Voltage	Wattage	Lumens (5000K)	Lumens Per Watt (5000K)
80%	120-277V	200W	28000lm	140lm/W
60%	120-277V	150W	21000lm	140lm/W
40%	120-277V	100W	14000lm	140lm/W

### 100W

Setting	Voltage	Wattage	Lumens (5000K)	Lumens Per Watt (5000K)
80%	120-277V	80W	11200lm	140lm/W
60%	120-277V	60W	8400lm	140lm/W
40%	120-277V	40W	5600lm	140lm/W

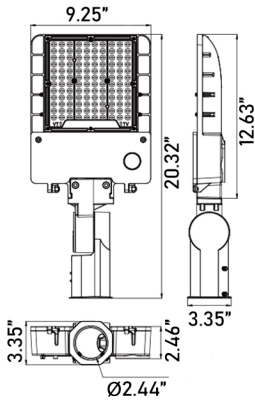
### Technical Specifications:

Input Voltage	120-277V 347-480V (Special Order)		
Wattage	100W	250W	300W
Lumens (5000K)	14000lm	35000lm	42000lm
Lumens Per Watt (5000K)	140 lm/W	140 lm/W	140 lm/W
CRI	70		
Power Factor	≥90%		
Operating Temperature	-40°F to 104°F		
Warranty	5 years		

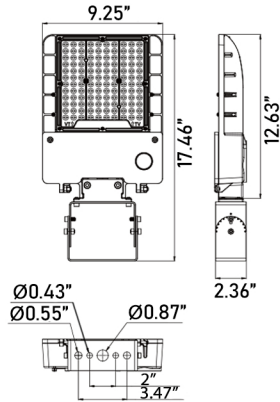
## Dimensions:

Unit: Inch

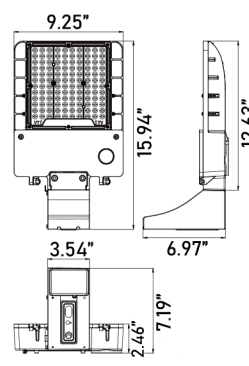
100W (Slipfitter Mount)



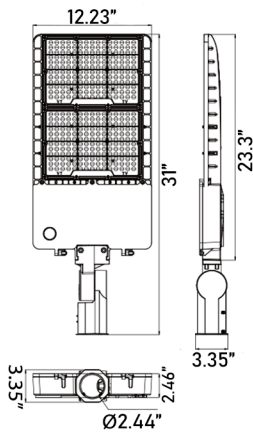
100W (Yoke Mount)



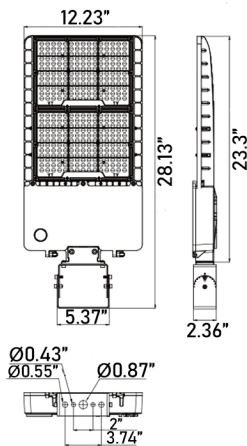
100W (Arm Mount)



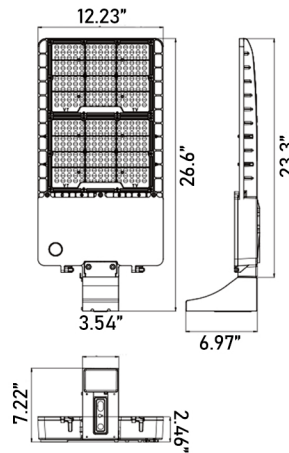
250W/300W (Slipfitter Mount)




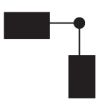



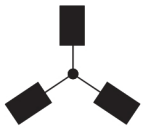

250W/300W (Yoke Mount)



250W/300W (Arm Mount)



## Effective Projected Area (EPA):

Item							
	1	2 @90°	2 @120°	2@180°	3 @90°	3 @120°	4 @90°
100W	0.2751	0.5267	0.7321	0.6164	0.9577	0.9837	0.9577
250W/300W	0.4097	0.7227	0.9919	0.8856	1.1986	1.3049	1.1986

## Mounting:



Slipfitter Mount

SKU: NUR-MNT05-SF-BNZ



Yoke Mount

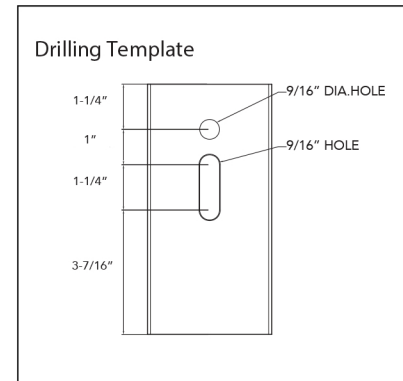
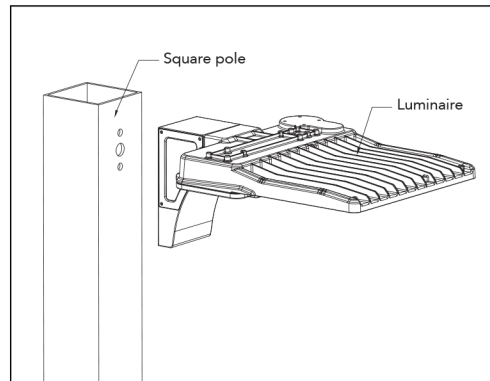
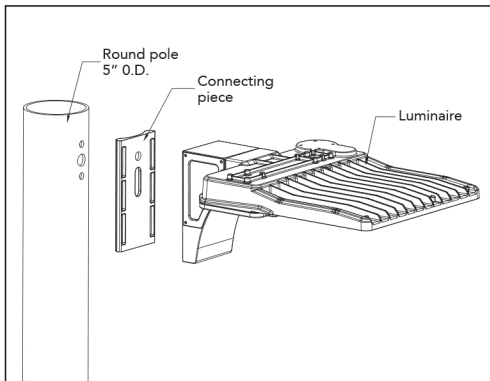
SKU: NUR-MNT05-YK-BNZ



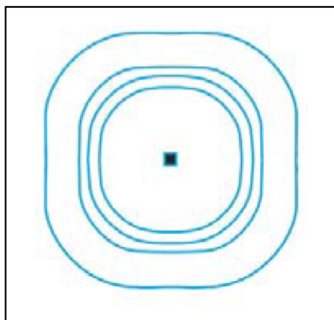
Arm Mount

SKU: NUR-MNT05-PM(ARM)-BNZ

## Mounting Dimension:



## Photometrics Type V:



## Ordering Guide:

Example: NUR-FL05-100W-5000K

Brand	Model	Wattage	Color Temperature
<input type="text"/>	<input type="text"/>	<input type="text"/>	<input type="text"/>
<b>NUR</b>	<b>FL05</b>	<b>100W 250W 300W</b>	<b>5000K</b>

**Accessories:****Shorting Cap for Area Light:**

SKU: NUR-FL5-SC

Input Voltage: 120-277V

Shorting cap is included

**Twist Lock Photocell Sensor for Area Light:**

SKU: NUR-FL05-PC

Input Voltage: 120-277V

Photocell is optional

