

LED EMERGENCY LIGHT WITH ROUND HEAD

Features:

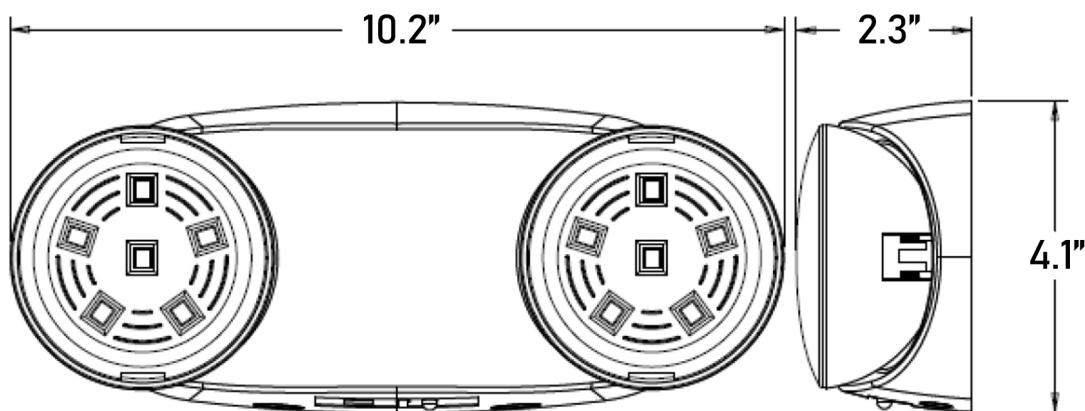
- Injection-molded thermoplastic ABS housing
- UL-94V-0 flame rating, fire-resistant
- 3.6V Nickel Cadmium Battery
- Input Voltage: 120-277V
- Power consumption: 2W max.
- Output: 2.4W max.
- Charging time: 24 hours
- Discharge time: 90 minutes
- Operating temperature: 0°C~40°C



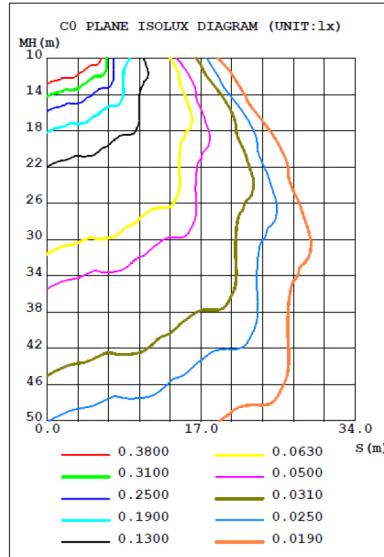
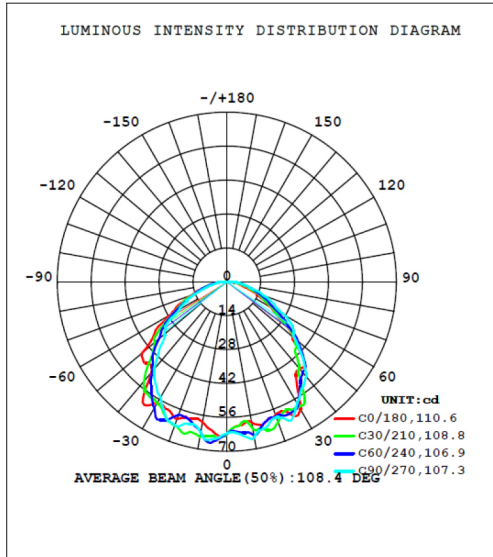
Applications:

- House
- Office
- Factory
- Shopping mall

Dimensions:



Photometric:



Ordering Guide:		Example: NUR-EM-LED-90-R
Model NUR-EM-LED	Emergency Duration 90	Head Shape R
(LED Emergency Light with Round Head)	(90 minutes)	(Round head)