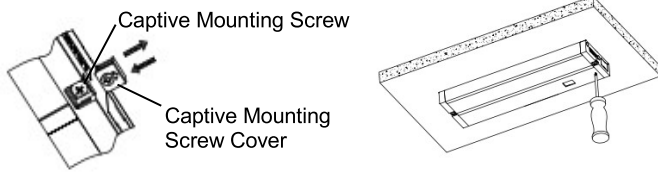


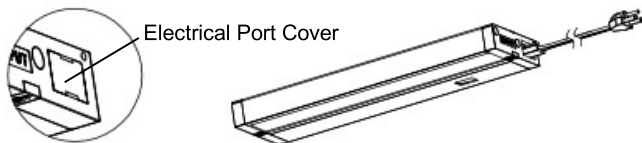
## MOUNTING FIXTURE

1. Remove Captive Mounting Screw Covers.
2. Place fixture in desired position and drive Mounting Screws securely. In some installations it may be desired to drill a pilot hole for the screws.
3. Replace the Captive Mounting Screw Cover.



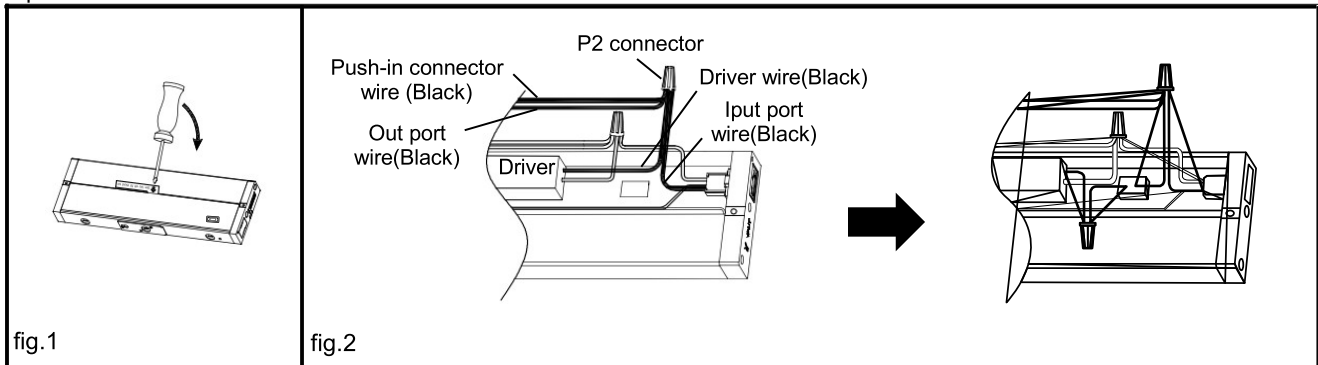
## POWER CODE CONNECTION

Remove the Electrical Port Cover and insert the power cord into INPUT electrical port. (Power cord sold separately.)



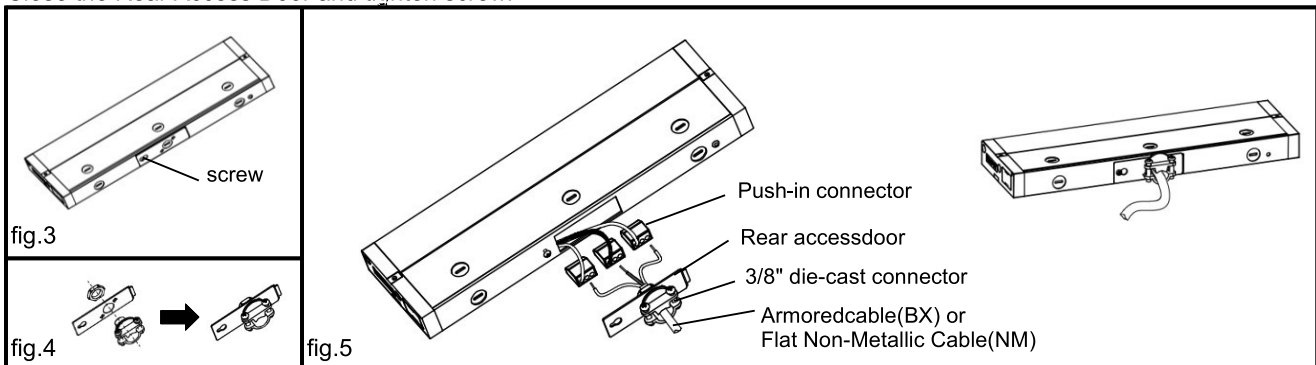
## SWITCH CONNECTION

1. Open a cover in the back using a flat and sharp tool. (Fig.1)
2. Unscrew a P2 connector where 4 black wires are connected. (Fig.2)
3. Use a P2 connector (provided) and connect an INPUT port wire (Black) and a wire from switch. (Fig.2)
4. Use another P2 connector (provided) and connect a wire from Switch and the rest black wires. (Fig.2)
5. Replace the cover.



## WIRING CONNECTIONS THROUGH A REAR ACCESS DOOR

1. Loosen screw that secures rear access door and remove the door from key hole by just a slide. (Fig.3)
2. Assemble 3/8" die-cast connector into Rear Access Door (Fig.4) and push supply cable through the die-cast connector. (Fig. 5)
3. Inside fixture are three wires with Push-in connectors. Carefully pull these out of fixture. Do not pull with excessive force.
4. Insert each of the three wires from the supply cable into each of the three Push-in connectors with respective color wires. Black to Black, White to White and Green (Earth wire) to green.
5. Neatly push wires and push-in connectors into opening in back of the fixture.
6. Close the Rear Access Door and tighten screw.

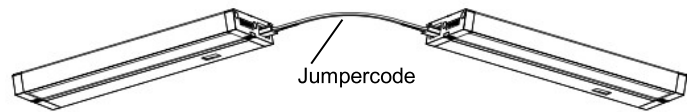


1. Open a cover in the back using a flat and sharp tool.
2. Remove knockout and assemble 3/8" die-cast connector.
3. Push supply cable through the die-cast connector and connect wires using Push-in connector.
4. Replace the cover and close up.

## JOINING MULTIPLE FIXTURES

### USING JUMPER CORD

1. Remove Electrical Port Covers.
2. Connect INPUT of Jumper cord to INPUT of electrical port.
3. Connect OUTPUT of Jumper cord to OUTPUT of electrical port.



### USING END-TO-END CONNECTOR

1. Remove Electrical Port Covers.
2. Connect INPUT of End-to-End connector to INPUT of electrical port.
3. Connect OUTPUT of End-to-End connector to OUTPUT of electrical port.

