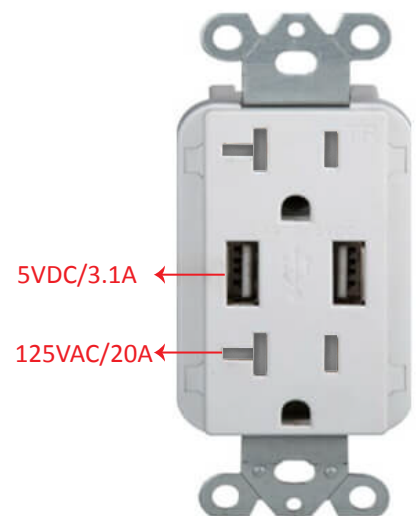


DUPLEX USB CHARGER 20A TAMPER RESISTANT RECEPTACLE (YUSB220)

Description:

The YUSB220 Duplex USB Charger/20A Tamper-Resistant Receptacle provides two 5VDC powered USB ports with a combined total of 3.1A charging current and two 20A-125VAC Tamper-Resistant Receptacles. This device is able to charge any two electronic devices simultaneously, including smart phones, tablets, e-readers, cameras and MP3 players. All you will need is a USB cable to connect to one of the two USB ports. The USB ports are used to charge portable electronic devices only. No data transfer capability.



Features:

- SKU: CONT-RECP-USB-YUSB220
- Charge most compatible electrical device directly without an adapter
- Tamper-Resistant Shutters provide compliance with 2011 NEC Code
- Replace a standard duplex receptacle
- Back and side wired for easy installation

Technical Specification:

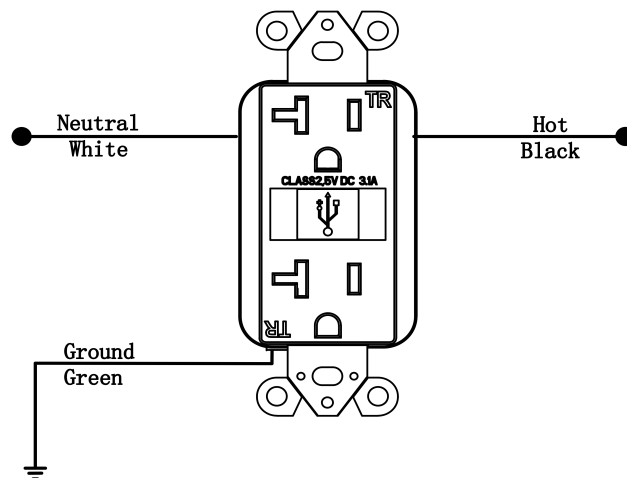
- Receptacle Rating: 20 A, 125VAC
- USB Rating : Two USB ports with total 3.1 Amp, 5VDC
- Wire Terminals : #14-#10 AWG
- Operating Temperature : 32°F to 131°F (0°C to 55°C)
- USB Compatibility: USB 2.0 devices, including Apple products
- Strip Length: 0.5inch (back wire holes) , 1inch (screw terminal)



Application:

- Cafes Labs
- Offices
- Kitchens
- Bedrooms
- Restaurants
- Meeting Rooms
- Airport Lounges
- Workstations
- Libraries
- Schools
- Hotels
- Salons

Wiring Diagram:



Installation:

1. For retrofit applications, remove wallplate and mounting screws. If new installation, skip to 4.
2. Carefully remove the existing receptacle from the box.
3. Disconnect the wiring from the existing receptacle.
4. Connect the YUSB220 per wiring diagram: black lead to hot wire, white lead to neutral wire, green lead to ground wire.

NOTE: Back and Side wire terminals accept #14-#10AWG copper or copper clad wires.

5. Tighten every screws and have no bare conductors exposed, 12-14 pound· inch (1.4-1.6 N·m) of torque.
6. Insert the YUSB220 into the wall box carefully.
NOTE: This device is to be installed in a wall box measuring at least 3" × 2" × 2-1/2". And wired in accordance with NEC Article 314 box fill requirements.
7. Mount device in wall box with screws provided and mount wallplate.
8. Restore power at circuit breaker. Installation is complete.

WARNING:

- To avoid fire, shock, or death. Turn off power at circuit breaker or fuse and test that power is off before wiring.
- To be installed and/or used in accordance with appropriate electrical codes and regulations.
- If you are unsure or uncomfortable about performing the installation please consult a qualified electrician.
- This device CANNOT be used for separate feed applications. If the outlet you are replacing has the top and bottom outlets controlled by separate circuit breakers, you cannot use this device.

Caution:

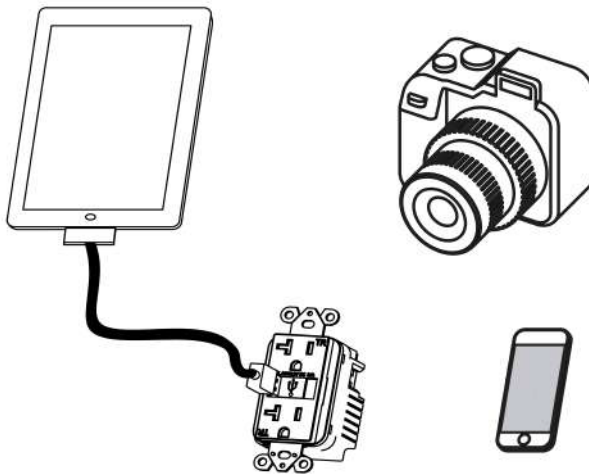
USE THIS DEVICE ONLY WITH COPPER OR COPPER CLAD WIRES. DO NOT CONNECT TO ALUMINUM WIRES.

**Compatibility:**

The YUSB220 Duplex USB Charger/20A Tamper-Resistant Receptacle is compatible with a wide range of electronic devices including, but not limited to, the following:

- iPad®
- iPad® Mini
- Tablets
- Mobile Phones
- Blackberry®, Android Phones
- Windows® Phone by HTC
- Kindle™, Nook e-reader
- iPhone®
- iPod®
- GPS
- Galaxy Tab™
- Bluetooth™ Headsets
- Digital Cameras
- Other USB compatible products

If the devices combined power requirements exceed the rated capacity of the USB Ports, the output will be automatically limited to the rated current.



Charges most USB powered devices

Warranty Information:

Our company warranties this product to be free of defects in materials and workmanship for a period of one (1) year. There are no obligations or liabilities on the part of our company for consequential damages arising out of, or in connection with, the use or performance of this product or other indirect damages with respect to loss of property, revenue or profit, or cost of removal, installation or reins installation.