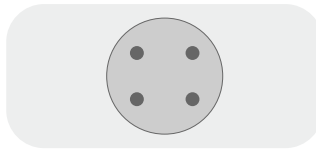
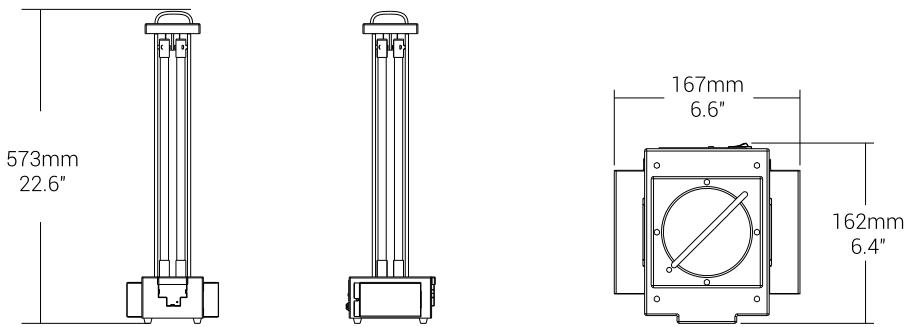




# Commercial UVC Germicidal Light-Portable Tower



## LINE DRAWING



## ORDER NUMBER

MODEL NUMBER	WATT	INPUT VOLTAGE	RATED LIFE TIME	TUBE TYPE	TUBE BASE	TUBE QTY	BALLAST QTY	TIMER	SENSOR	SCHEDULABLE
E42UVX202P	42	120-277V AC	16,000hrs	T5	G10Q	2 pcs	1 pc	Yes	No	No
42UVX202P	42	120-277V AC	16,000hrs	T5	G10Q	2 pcs	1 pc	Yes	Yes	No
S42UVX202P	42	120-277V AC	16,000hrs	T5	G10Q	2 pcs	1 pc	Yes	No	Yes
E84UVX402P	84	120-277V AC	16,000hrs	T5	G10Q	4 pcs	2 pcs	Yes	No	No
84UVX402P	84	120-277V AC	16,000hrs	T5	G10Q	4 pcs	2 pcs	Yes	Yes	No
S84UVX402P	84	120-277V AC	16,000hrs	T5	G10Q	4 pcs	2 pcs	Yes	No	Yes