

Color Tuneable Troffer Install Guide

WARNING:

- To reduce the risk of death, personal injury or property damage from fire, electric shock, falling parts, cuts/abrasions, and other hazards read all warnings and instructions included with and on the fixture box and all fixture labels.
- Before installing, servicing, or performing routine maintenance upon this equipment, follow these general precautions.
- Commercial installation, service and maintenance of luminaires should be performed by a qualified licensed electrician.
- For the installation: If you are unsure about the installation or maintenance of the luminaires, consult a qualified licensed electrician and check your local electrical code.
- To prevent wiring damage or abrasion, do not expose wiring to edges of sheet metal or other sharp objects.
- Do not make or alter any open holes in an enclosure of wiring or electrical components during kit installation.

WARNING:

- Turn off electrical power at fuse or circuit breaker box before wiring fixture to the power supply.
- Turn off the power when you perform any maintenance.
- Verify that supply voltage is correct by comparing it with the luminaire label information.
- All wiring connections should be capped with UL approved wire connectors.

CAUTION:

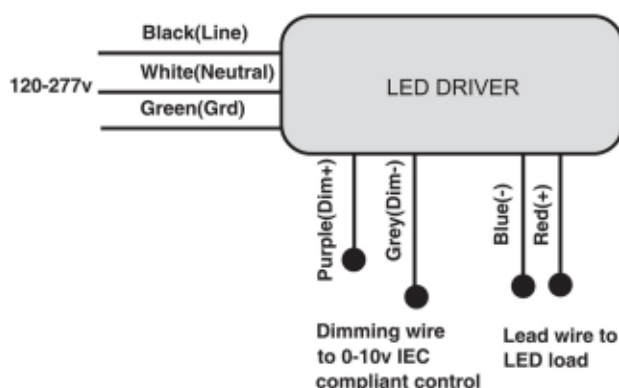
- Avoid direct eye exposure to the light source while it is on.
- Account for small parts and destroy packing material, as these may be hazardous to children.
- Risk of burn. Disconnect power and allow fixture to cool before changing bulb or handing fixture.

NOTICE: Green ground screw provided in proper location. Do not relocate.

NOTICE: Minimum 90° supply conductors.

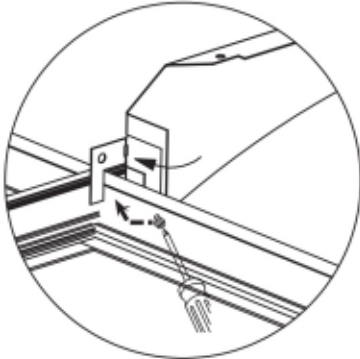
NOTICE: Specifications and dimensions subject to change without notice.

NOTICE: Suitable for Dry or Damp location, Type IC.



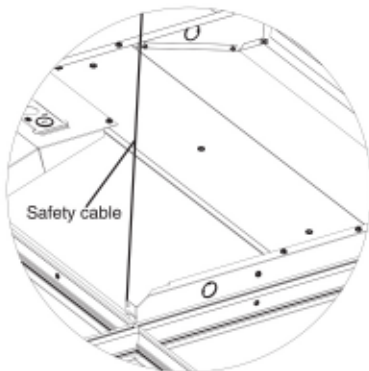
STEP 4:

Bends tab flush against T-grid in order to clear corner for ceiling tile.



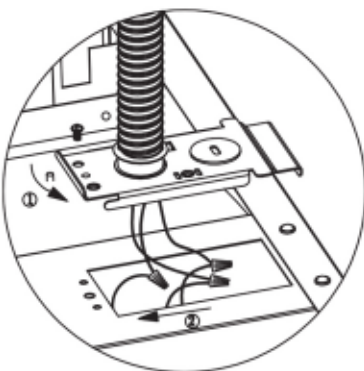
STEP 5:

Use a #8x1/4" sheet metal screw to fasten fixture to T-grid and use a hanger wire to tie off appropriately in accordance with local building codes (screws and hanger wires supplied by others).



STEP 6:

Ensure that the wiring of the last fixture in the row is properly terminated. Then make all electrical connections to the fixture. Attach the wiring access cover plate.



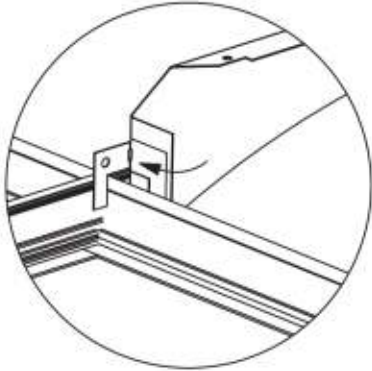
INSTRUCTIONS:

IMPORTANT:

Always turn off the power supply from main circuit breaker first.

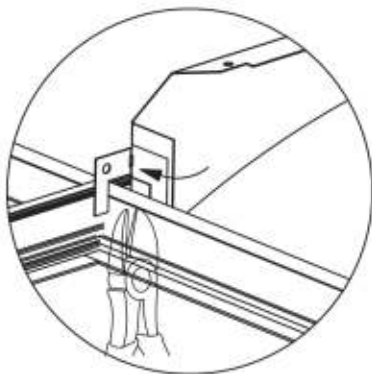
STEP 1:

Bend out mounting tab 90 degree on each corner.



STEP 2:

Use size cutters to adjust each tab to height of T-Grid.



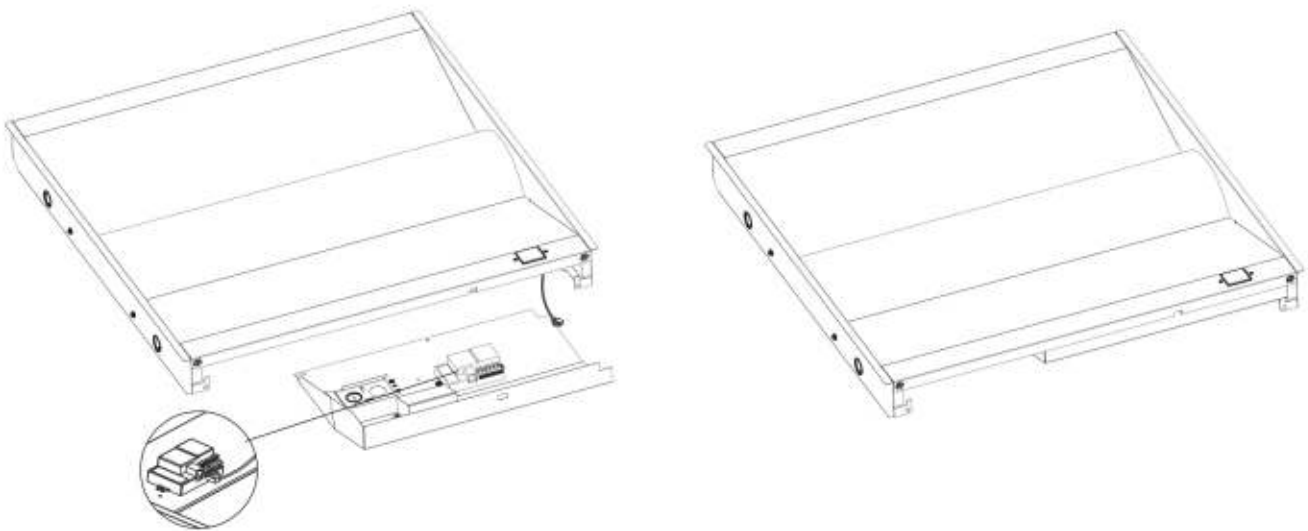
STEP 3:

Lay fixture into T-Grid grid .

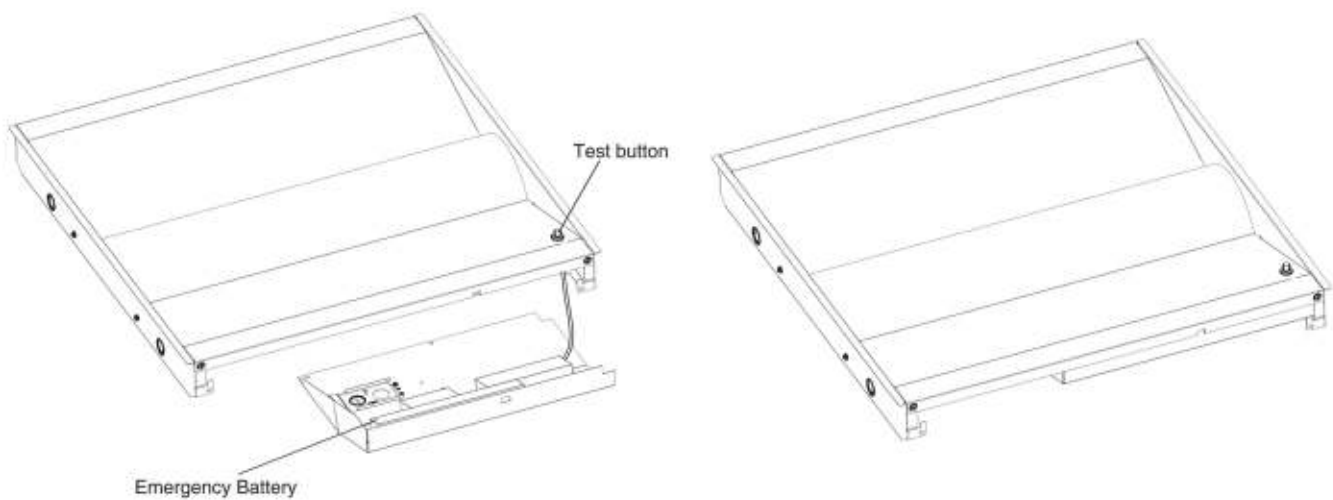


Additional Accessories:

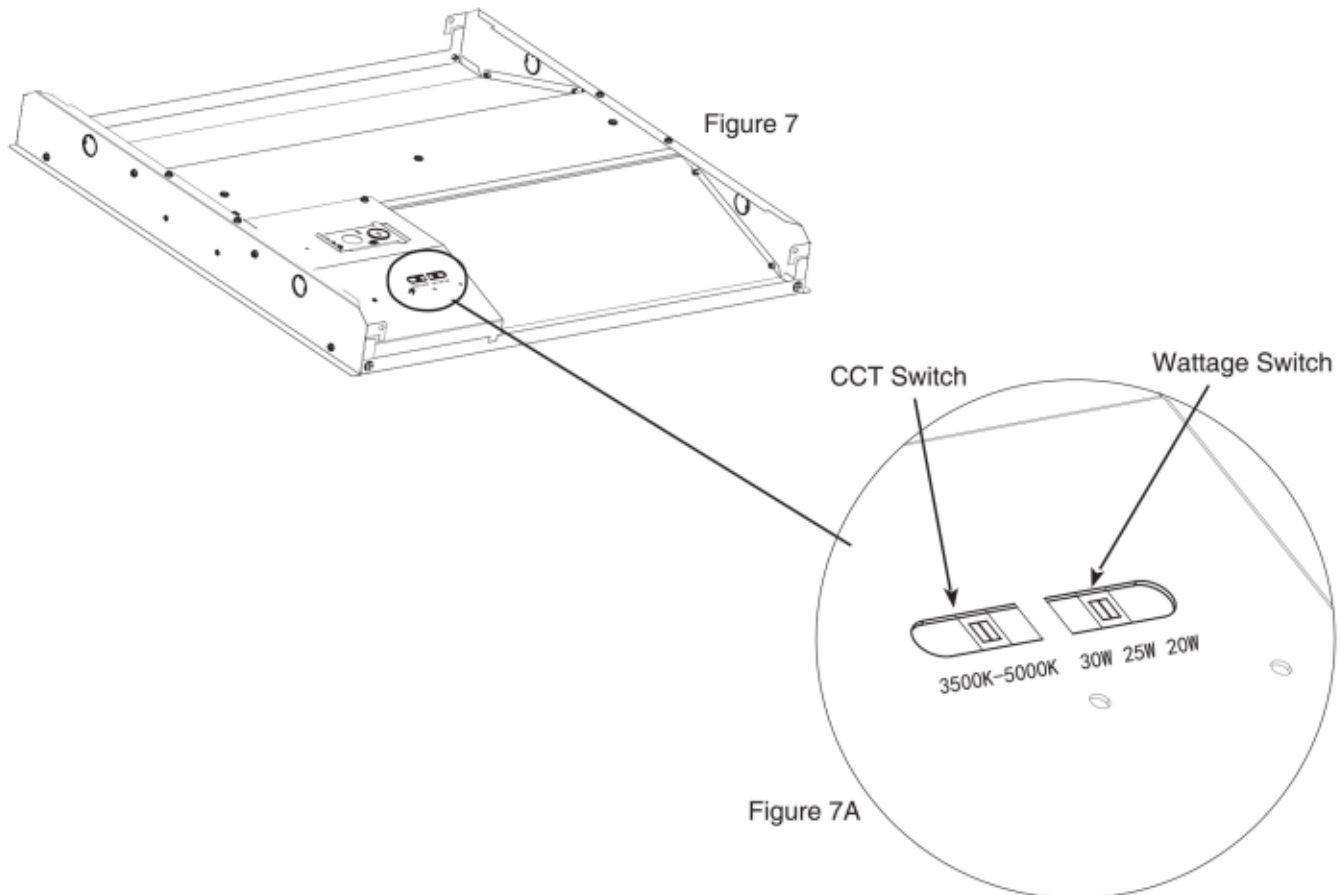
i) Microwave Motion Sensor



ii) Emergency Battery Back-up



Field-Adjustable Wattage & CCT



The end users may adjust the color temperature and lumen output respectively by the two DIP switch buttons integrated into the driver. Each DIP switch is accommodated with 3 options (left, middle and right), corresponding to 3 color temperatures and 3 powers respectively, which can perform the desired color temperature and lumen output combination.

Factory Settings: 5000K,25W

- 1.DIP switches are located onto the drive box.(see Fig.7)
- 2.Select a wattage and color temperature by sliding switch left or right respectively to the desired value.(see Fig.7A)