

CCT ROTARY DESKTOP REMOTE (RF) SR SERIES

Description:

Our CCT Rotary Desktop Remote is part of our SR Series. Radio Frequency (RF) is used to communicate with the LED Controller/receiver (sold separately).



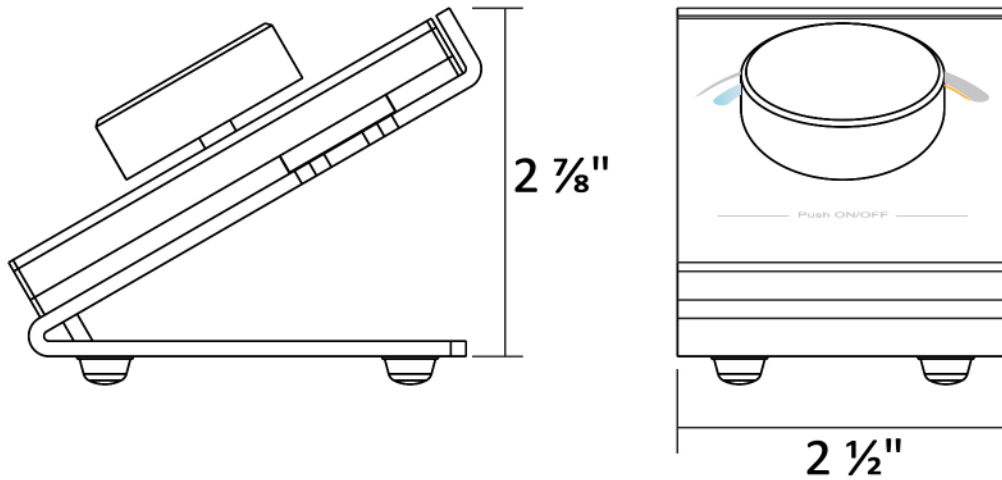
Features:

- SKU: CONT-SR-2836D-CCT
- Reliable and stable switch/dimming control.
- Range up to 65 ft.
- Smooth switch on/off without flashing.
- Dimming range of 0.1% - 100%.
- Double-click rotary knob for brightness/CCT adjustment.
- 1 zone control, endless receivers (8 remotes max per receiver).
- Rotary adjustment, no installation needed.
- Battery life lasts up to five years.

Technical Specifications:

Voltage	3VDC
Output Signal	RF signal
Power consumption	10 mA
Operating temperature	32 - 104°F
Relative humidity	8% to 80%
Operation frequency	434MHz/869.5MHz/916.5MHz
IP Grade	IP20

Dimension:



Function Introduction:

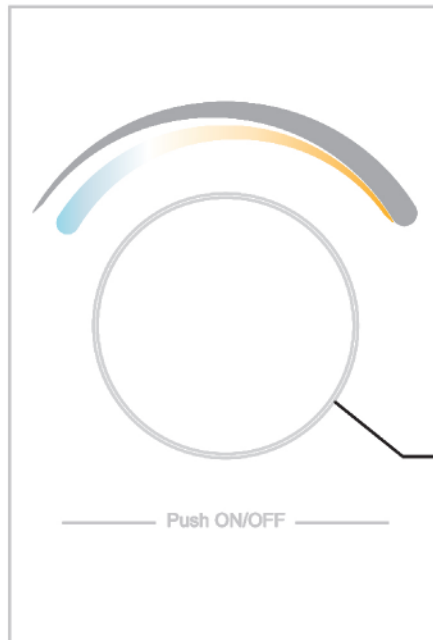
Use the knob counterclockwise on the remote control:

1. In brightness mode, the light intensity decreases from 100% to 1%.
2. In dual color mode, the color temperature changes from warm white to cold white.



Use the knob clockwise on the remote control:

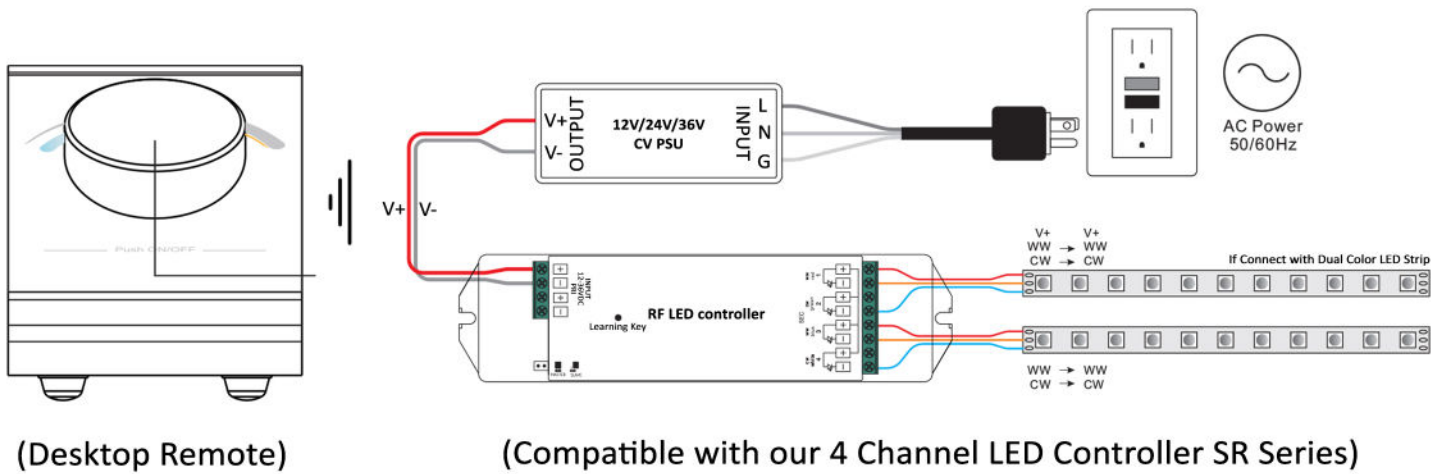
1. In brightness mode, the light intensity increases from 1% to 100%.
2. In dual color mode, the color temperature changes from cold white to warm white.



Use the knob on the remote control:

1. Click: Switches ON/OFF.
2. Press and hold: Adjusts brightness to 100%.
3. Double click: Switches between dual color mode and brightness mode.

Wiring Diagram:

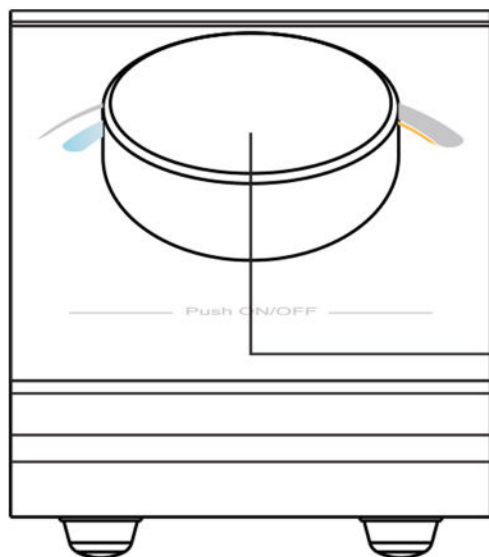


Note: Each Device Sold Separately.

Pair with RF Receiver:

To pair the RF receiver with the CCT Rotary Desktop Remote (RF) SR Series, follow these steps:

Step 1: Wire the RF receiver according to the provided wiring diagram and instructions.

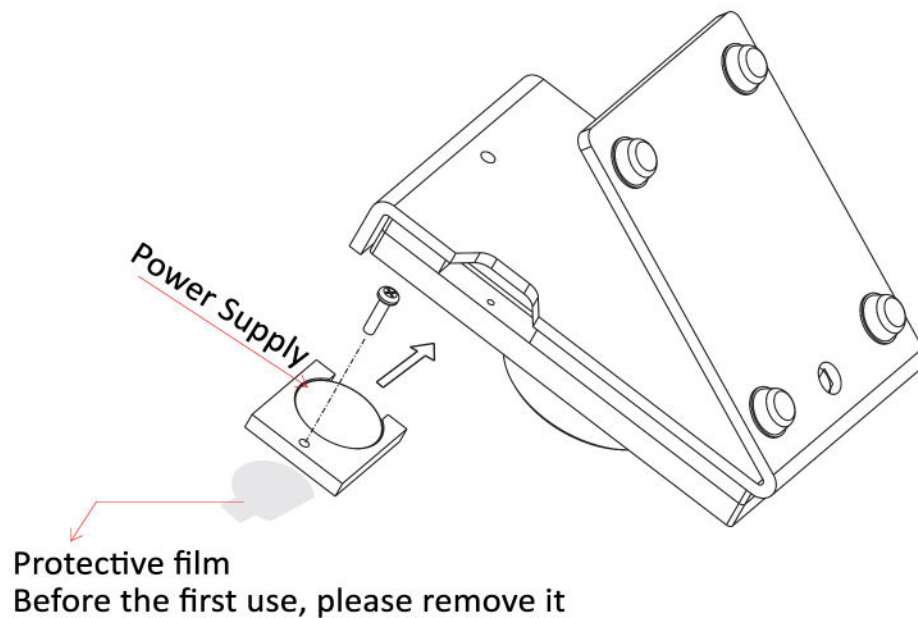


Step 2: Press the "Learning Key" button on the RF receiver to activate pairing mode.

Step 3: Rotate or click the knob on the remote. If the LED lights connected to the RF receiver flicker once, it indicates successful pairing between the receiver and the remote.

Note: Each receiver can be paired with a maximum of 8 remote controls.

Installation:



Safety and Warnings:

- * Ensure that power is not applied to the device during installation.
- * Avoid exposing the device to moisture.

Compatible Receiver:

RGBW 4 Channel Controller (RF) SR Series

- SKU: CONT-SR-1009FA
- Input Voltage: 12-36VDC
- Wattage: 240-720W
- Sold Separately

