

# BLUE ELECTRICAL BOX

## Description:

Our Blue Electrical Box is a non-metallic PVC switch and outlet box. All four models adhere to the specifications outlined in Article 314 of the NEC. They are fire resistant for 2 hours and hold a UL Listing to ensure safety.

## Four options to choose from:

- 1 Gang New Construction 18 cu. in. (cubic inches)
- 2 Gang New Construction 32 cu. in.
- 1 Gang Remodel 14 cu. in.
- 2 Gang Remodel 25 cu. in.



## Features:

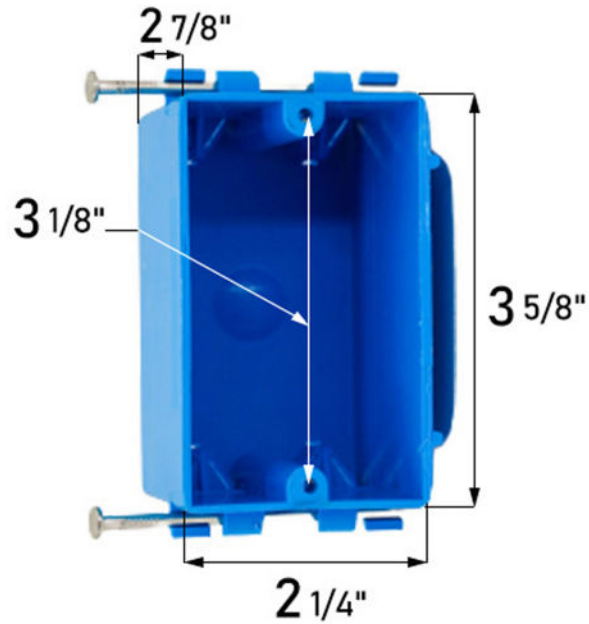
- Designed to fit standard receptacle outlets and switches.
- Made with non-conductive and rust-resistant PVC thermoplastic.
- Integrated cable clamps.
- Captive nails are included with New Construction Models.
- Complies with US Standard.
- Flame Retardant (2-hour rating).
- Crush Resistant.
- Explosion Resistant.

## Application:

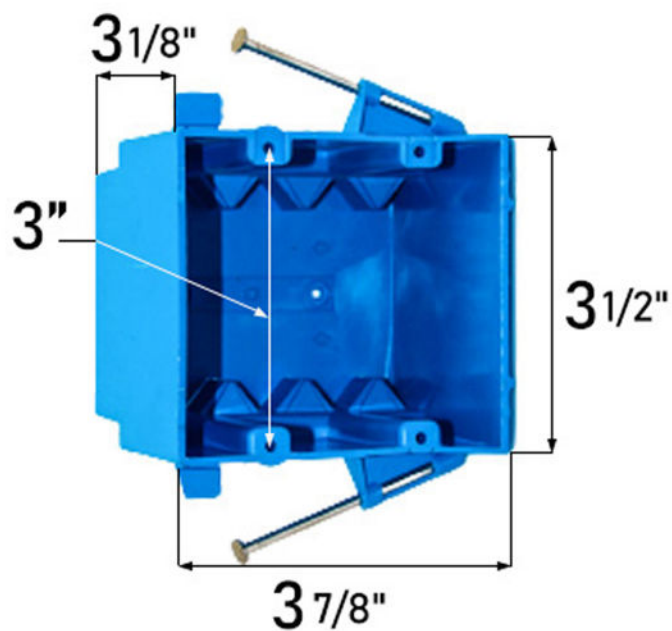
- Old Work/New Work (Remodel & New Construction)
- Masonry Walls
- Electrical Receptacle
- Indoor & Outdoor
- HVAC Installations
- Data Networks
- Renovation Projects
- Electrical Panels
- Entertainment Systems

**Dimension:**

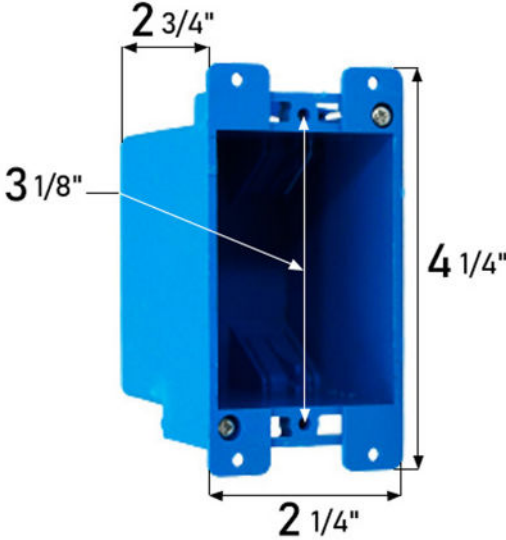
New Construction 1 Gang 18 Cu. in.



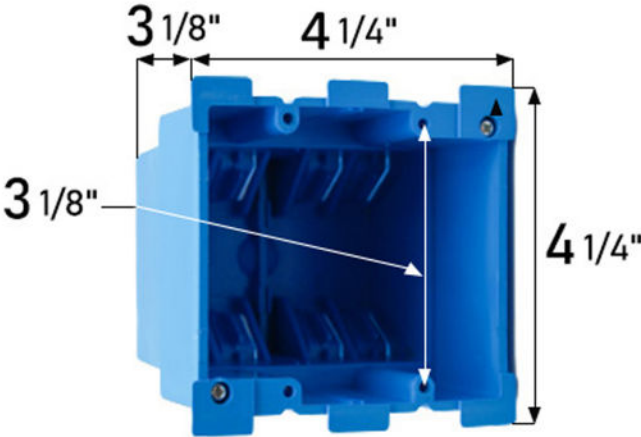
New Construction 2 Gang 32 Cu. in.



Remodel 1 Gang 14 Cu. in.



Remodel 2 Gang 25 Cu. in.



ORDERING GUIDE		Example: NUR-JB-GANG-1
<b>Brand</b> <input type="text"/>	<b>Junction Box</b> <input type="text"/>	<b>GANG</b> <input type="text"/>
NUR	JB	GANG-1 GANG-2 GANG-1-NAIL GANG-2-NAIL