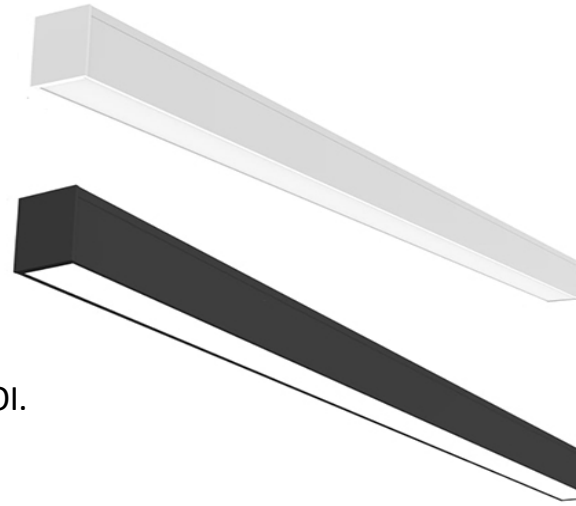


ARCHITECTURAL LINEAR STRIP LIGHT

Description:

Architectural Linear Strip offers a sleek design to elevate your space with customizable lighting, boasting a slim, clean appearance. ALS series can run seamlessly and easily at any length in a straight line or any modeling design by DIY connectors. 5CCT selectable color temperatures. Available in 2ft,3ft,4ft and 8ft length and two variants white/black.



Features:

- Easy and quick installation reduces labor cost and optimizes ROI.
- 1200W Max linkable wattage
- CCT Selectable (include the 5CCT options)
- Adjustable Light Distribution
 - i) UP: 0% & DOWN: 100%
 - ii) UP: 70% & DOWN: 30%
 - iii) UP: 50% & DOWN: 50%
 - iv) UP: 30% & DOWN: 70%
 - v) UP:100% & DOWN: 0%
- Mounting Options: Suspension/Recessed/Surface/Wall Mount

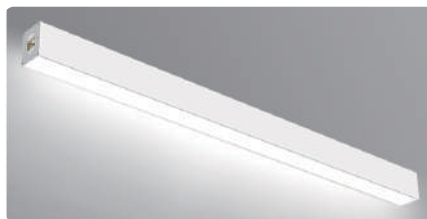


Applications:

- Offices
- Conference rooms
- Hallways
- Educational facilities



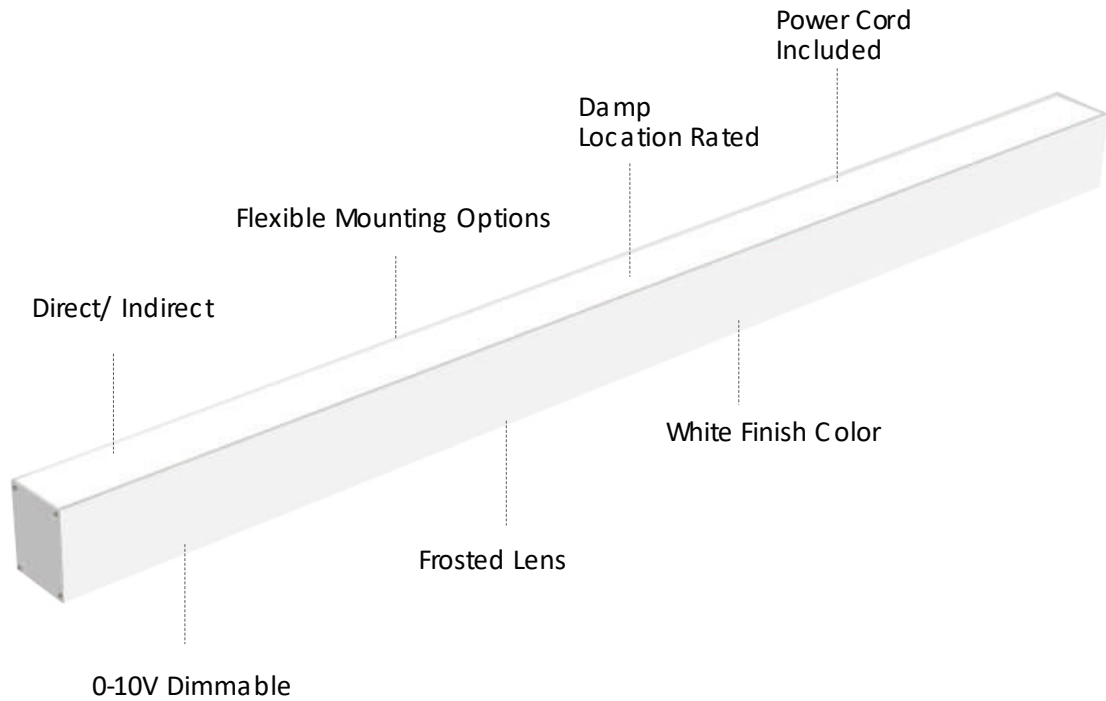
Up Light



Down Light

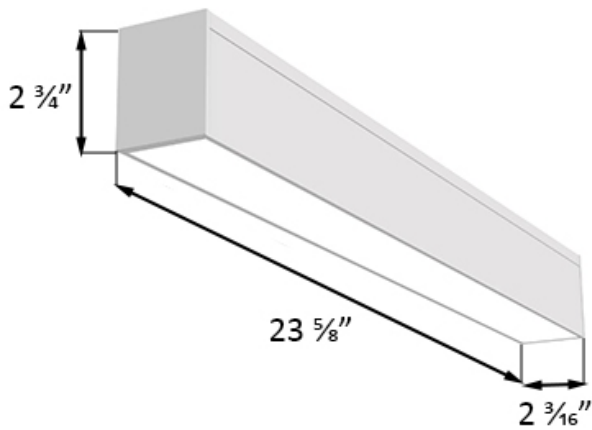


CCT Changing and Wattages Tunable

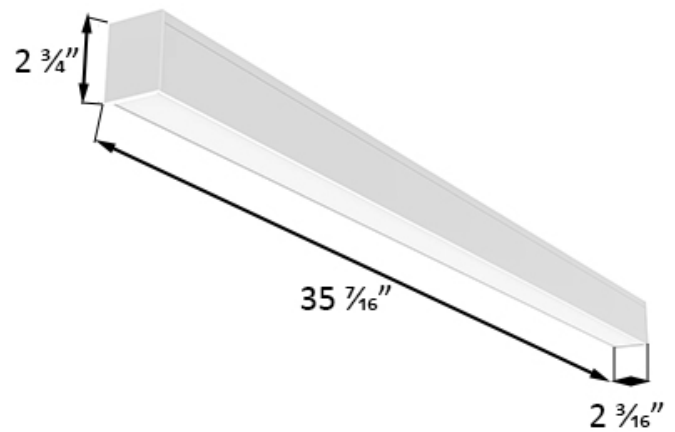


Dimensions:

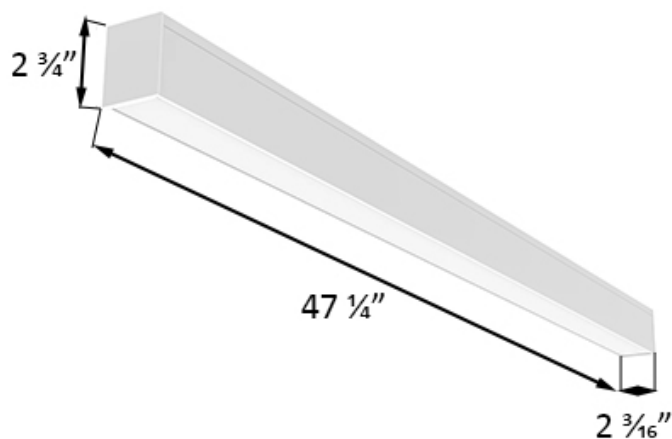
2ft



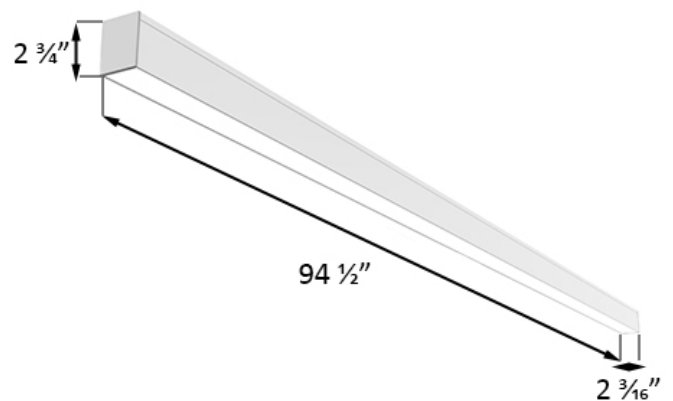
3ft



4ft



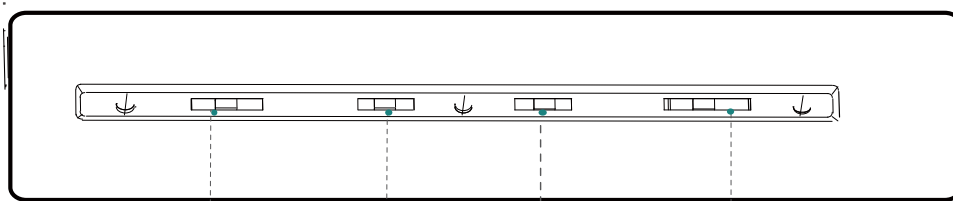
8ft



Technical Specifications:

Watts	30W	35W	50W	100W
Length	2ft	3ft	4ft	8ft
Lumens	3250LM	4550LM	6500LM	13000LM
Input Voltage	120-277V/ 120-347V			
Lumens Per Watt	130 LM/W			
Color Temperature	5CCT Selectable			
CRI	83+			
Dimmable	0-10V			
Max Linkable Watt	600W (Regular) 1200W can be customized			
Feature	LED Up-down Light/ Tunable Wattage/ CCT Changing			
Operating Mode	Uplight/ Downlight Selectable			
Finish Color	White/Black			

DIP Switches Guide:



CCT Selectable
 30K/35K/40K/50K/57K(preset at 50K)
 35K/40K/50K(preset at 50K)

Watt Selectable
 L(90deg): 40W 35W 30W 25W(preset at 40w)
 L(120deg): 40W 35W 30W 25W(preset at 40w)
 T: 60W 55W 50W 45W(preset at 60W)
 X: 80W 75W 70W 65W(preset at 80W)

Up&Down Light Distribution
 ① Up: 100% & Down: 0%
 ② Up: 70% & Down: 30%
 ③ Up: 50% & Down: 50%
 ④ Up: 30% & Down: 70% (preset)
 ⑤ Up: 0% & Down: 100%

Accessories:



Surface Mount

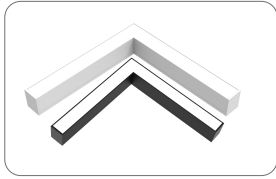


M3*20 self-tapping screw*4

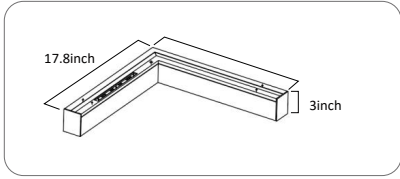


Plastic anchor*4

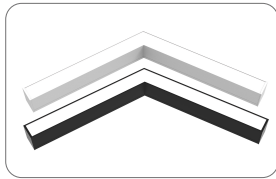
Accessories(Optional):



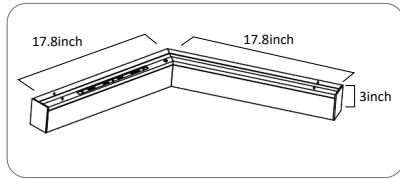
90° Connector
Watts:40W



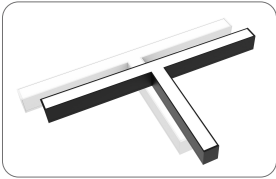
Dimensions



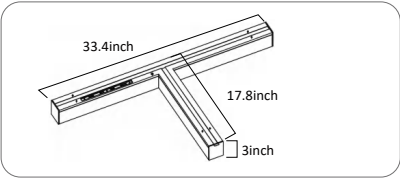
120° Connector
Watts:40W



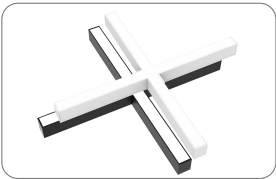
Dimensions



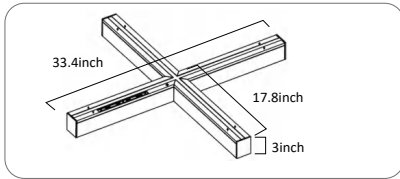
T Connector
Watts:60W



Dimensions



X Connector
Watts:80W



Dimensions

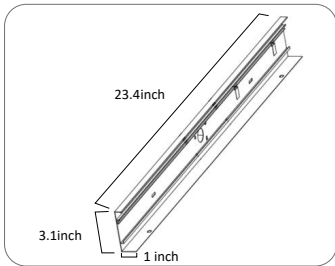
ORDERING GUIDE(Connector) Example: SUN-CONN-ST-5CCT-L90-WHT

Strip Light Connector	Color Temperature	Connector Type	Finish
SUN-CONN-ST	5CCT	<input type="checkbox"/> L90 90° L Shape <input type="checkbox"/> L120 120° L Shape <input type="checkbox"/> T T Shape <input type="checkbox"/> X X Shape	<input type="checkbox"/> WHT WHITE <input type="checkbox"/> BLK BLACK

Wall Mount



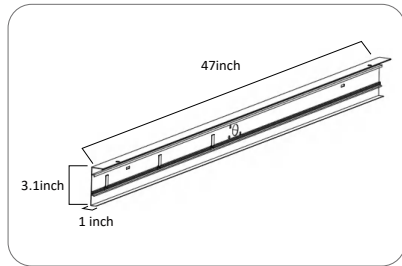
Length 2 ft



Dimensions



Length 4 ft



Dimensions

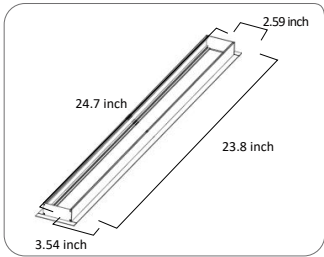
ORDERING GUIDE(Wall Mount) Example: SUN-MNT-WALL-2FT-WHT

Strip Light Wall Mount	Length	Finish
SUN-MNT-WALL	<input type="checkbox"/> 2FT <input type="checkbox"/> 4FT	<input type="checkbox"/> WHT WHITE <input type="checkbox"/> BLK BLACK

Frame Recessed Mount



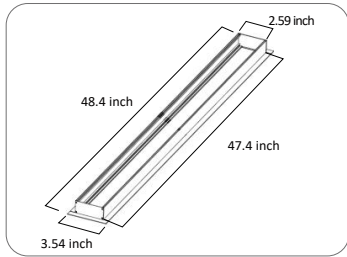
Length 2 ft



Dimensions



Length 4 ft



Dimensions

ORDERING GUIDE(Frame Recessed Mount) Example: SUN-MNT-FRAME-RECSSED-2FT-WHT

Strip Light Frame Recessed Mount	Length	Finish
SUN-MNT-FRAME-RECSSED	2FT 4FT	WHT WHITE BLK BLACK

Suspension Mount



SKU:
SUN-MNT-CNPY-KIT



Dimensions



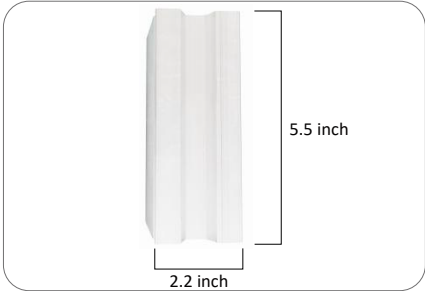
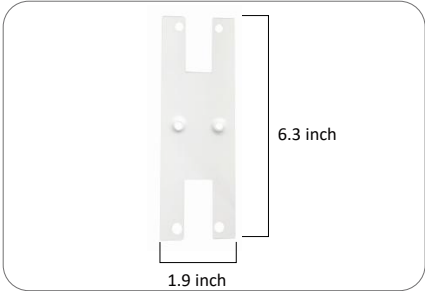
Dimensions

Cuttable PC Cover



33FT Per Roll
SKU:
SUN-FLEXIBLE-CUTT-CVR

Continuous Run Kit



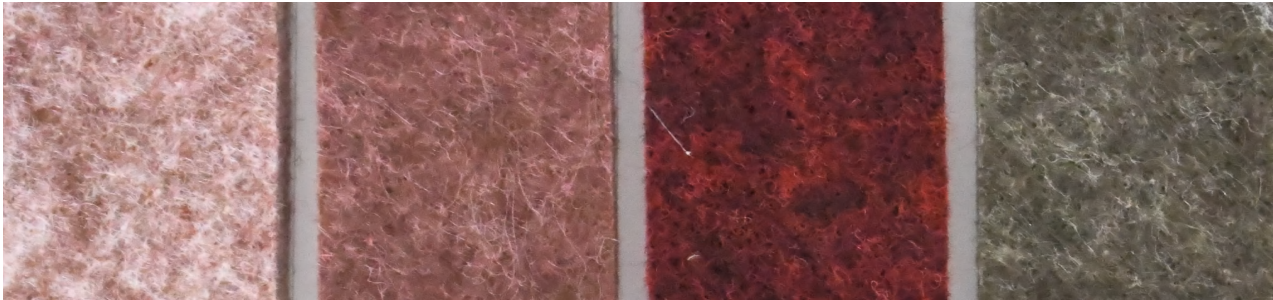
Dimensions

Dimensions

ORDERING GUIDE(Continuous Run Kit) Example: SUN-CONN-ST-5CCT-I-WHT

Strip Light Connector	Color Temperature	Connector Type	Finish
SUN-CONN-ST	5CCT	I	<input type="checkbox"/> WHT WHITE BLK BLACK

Color Options For Acoustic Panel:

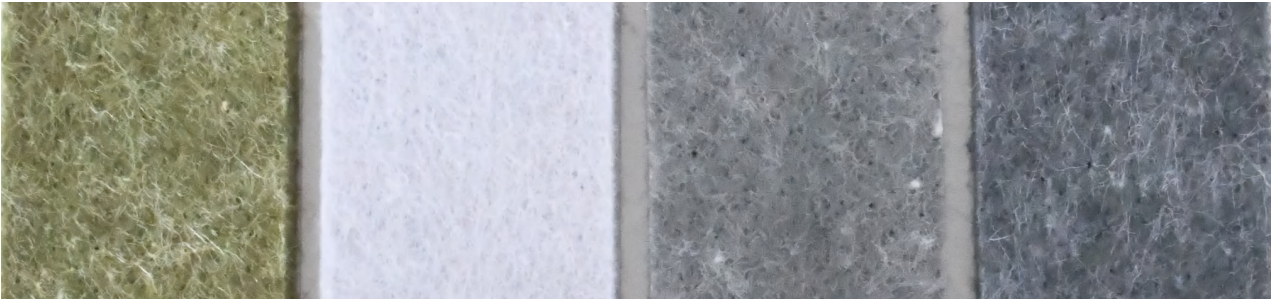


ZQ37

ZQ38

ZQ39

ZQ40

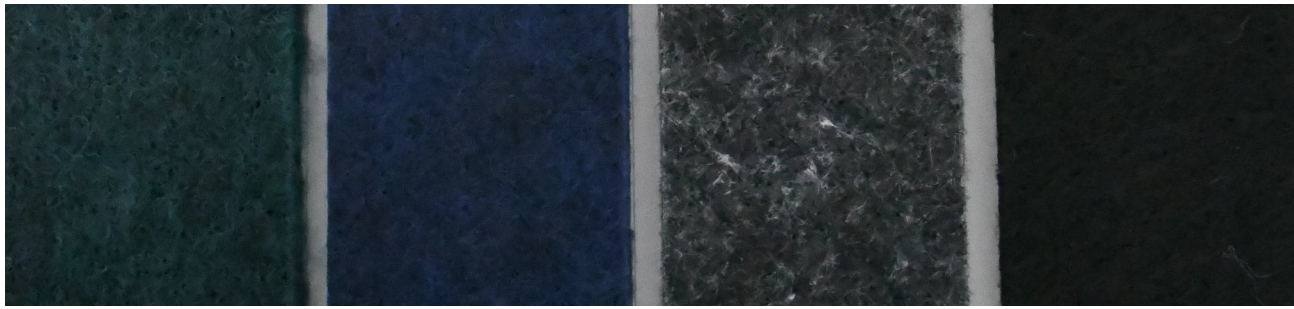


ZQ41

ZQ42

ZQ43

ZQ44

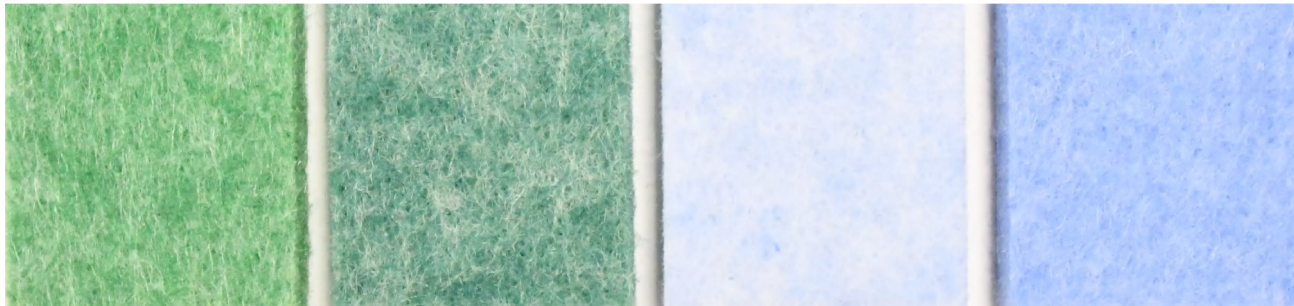


ZQ45

ZQ46

ZQ47

ZQ48

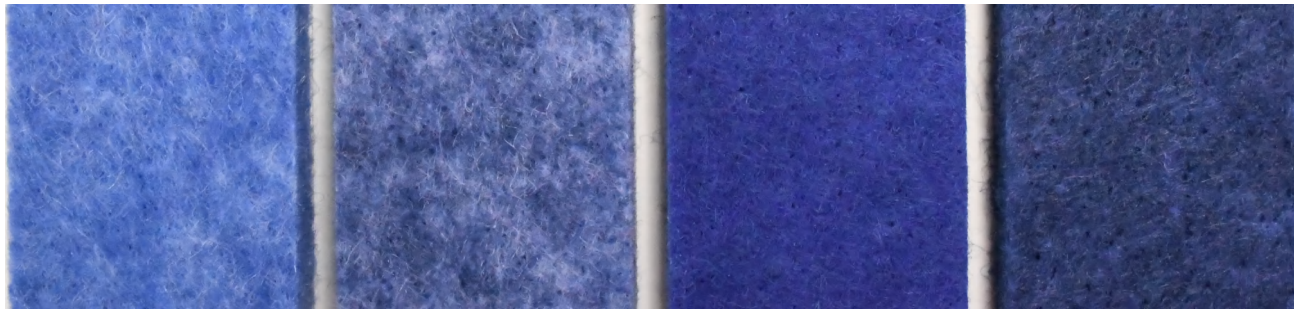


ZQ17

ZQ18

ZQ19

ZQ20

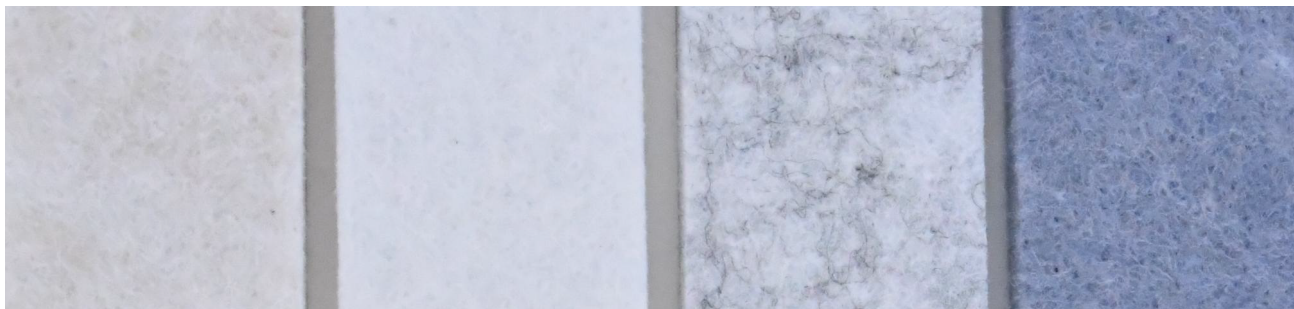


ZQ21

ZQ22

ZQ23

ZQ24



ZQ01

ZQ02

ZQ03

ZQ04

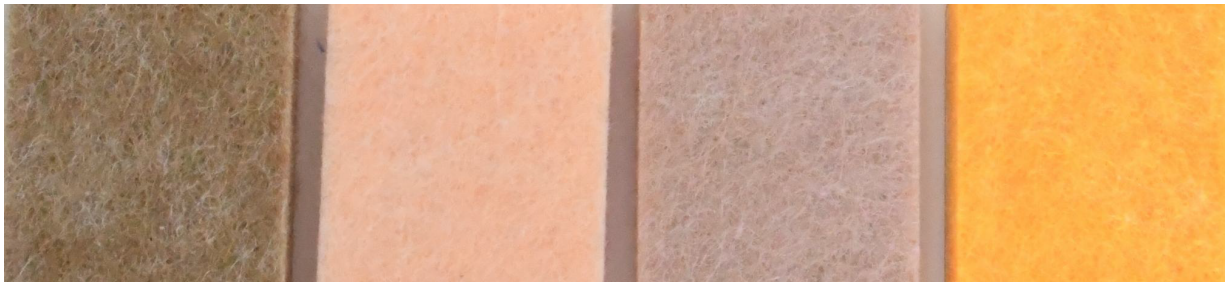


ZQ05

ZQ06

ZQ07

ZQ08



ZQ09

ZQ10

ZQ11

ZQ12



ZQ25

ZQ26

ZQ27

ZQ28



ZQ29

ZQ30

ZQ31

ZQ32



ZQ33

ZQ34

ZQ35

ZQ36



ZQ37

ZQ38

ZQ39

ZQ40



ORDERING GUIDE

Example: SUN-ST-2ft-30W-5CCT-WHT

Strip Light	Length	Watts	Color Temperature	Finish <input type="checkbox"/>
SUN-ST	2ft 2 feet	30W 30 Watts	5CCT	WHT WHITE BLK BLACK
	3ft 3 feet	35W 35 Watts		
	4ft 4 feet	50W 50 Watts		
	8ft 8 feet	100W 100 Watts		