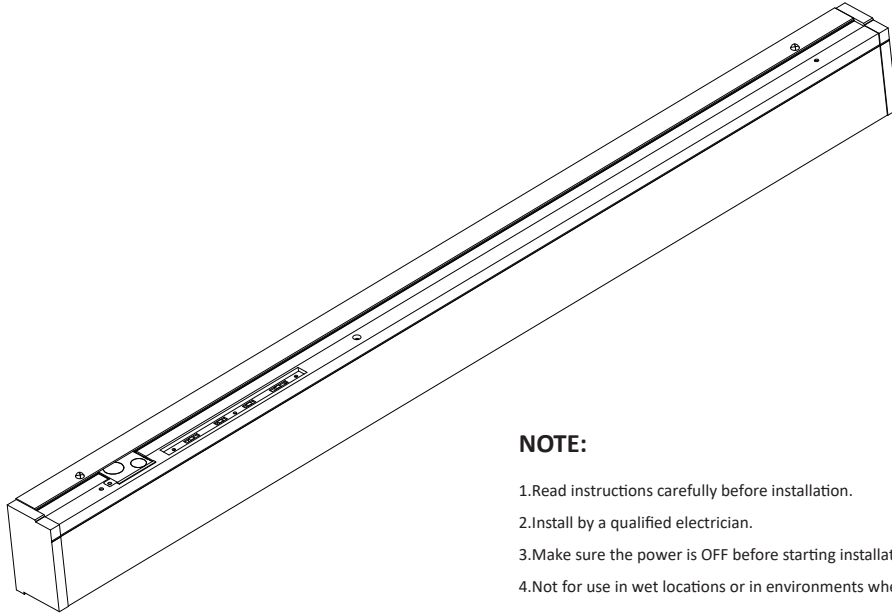


ARCHITECTURAL LINEAR STRIP LIGHT INSTALL GUIDE



NOTE:

1. Read instructions carefully before installation.
2. Install by a qualified electrician.
3. Make sure the power is OFF before starting installation or attempting any maintenance.
4. Not for use in wet locations or in environments where corrosive chemicals are present.

Brightness Settings for Each Fixture Size

2FT | 25W

Up	Up watt	Up Lumen Output	Down	Down Watt	Down Lumen Output
0%	0W	0	100%	25W	3500LM
30%	7W	980LM	70%	18W	2520LM
50%	12.5W	1750LM	50%	12.5W	1750LM
70%	18W	2520LM	30%	7W	980LM
100%	25W	3500LM	0%	0W	0

3FT | 35W

Up	Up watt	Up Lumen Output	Down	Down Watt	Down Lumen Output
0%	0W	0	100%	35W	4900LM
30%	10.5W	1470LM	70%	24.5W	3430LM
50%	17.5W	2450LM	50%	17.5W	2450LM
70%	25.5W	3430LM	30%	10.5W	1470LM
100%	35W	4900LM	0%	0W	0

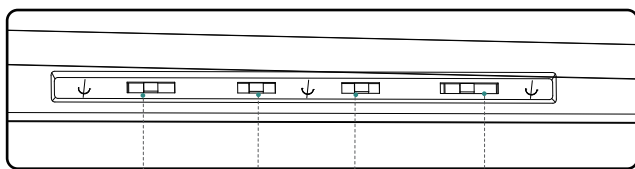
4FT | 50W

Up	Up watt	Up Lumen Output	Down	Down Watt	Down Lumen Output
0%	0W	0	100%	50W	7000LM
30%	15W	2100LM	70%	35W	4900LM
50%	25W	3500LM	50%	25W	3500LM
70%	35W	4900LM	30%	15W	2100LM
100%	50W	7000LM	0%	0W	0

8FT | 100W

Up	Up watt	Up Lumen Output	Down	Down Watt	Down Lumen Output
0%	0W	0	100%	100W	14000LM
30%	30W	4200LM	70%	70W	9800LM
50%	50W	7000LM	50%	50W	7000LM
70%	70W	9800LM	30%	30W	4200LM
100%	100W	14000LM	0%	0W	0

DIP Switches Guide



Watt Selectable

- 2FT: 25W 20W 15W 10W(preset at 25W)
- 3FT: 35W 30W 25W 20W(preset at 35W)
- 4FT: 50W 45W 40W 35W(preset at 50W)
- 8FT: 100W 90W 75W 60W(preset at 100W)

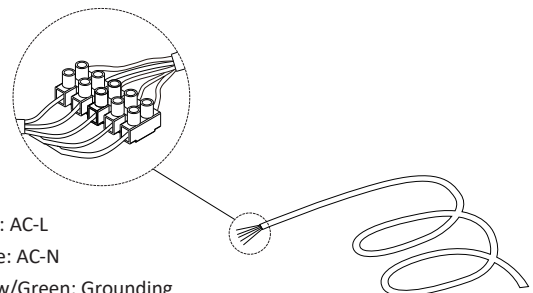
CCT Selectable

30K/35K/40K/50K/57K(preset at 50K)

Up & Down Light Distribution

- ① Up: 100% & Down: 0%
- ② Up: 70% & Down: 30%
- ③ Up: 50% & Down: 50%
- ④ Up: 30% & Down: 70% (preset)
- ⑤ Up: 0% & Down: 100%

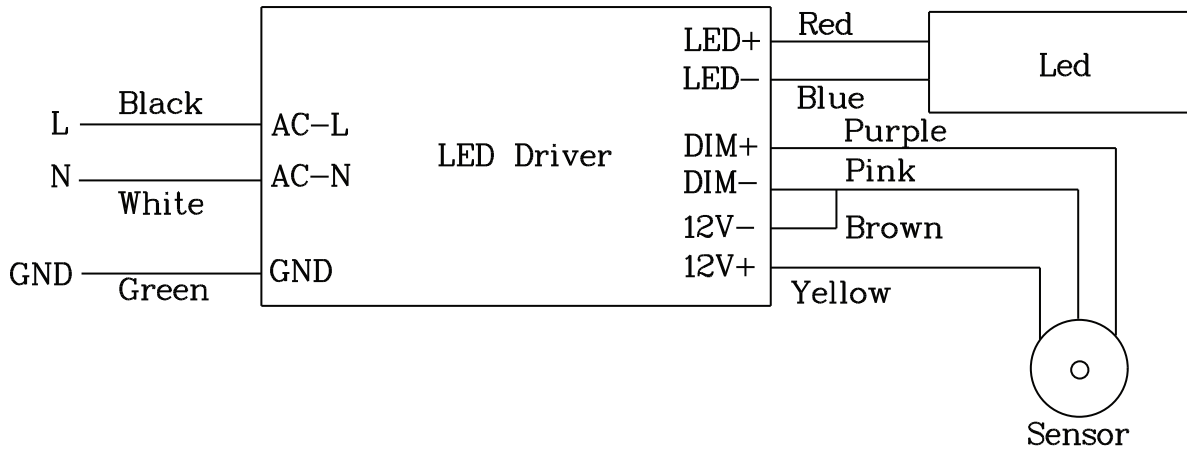
Wiring



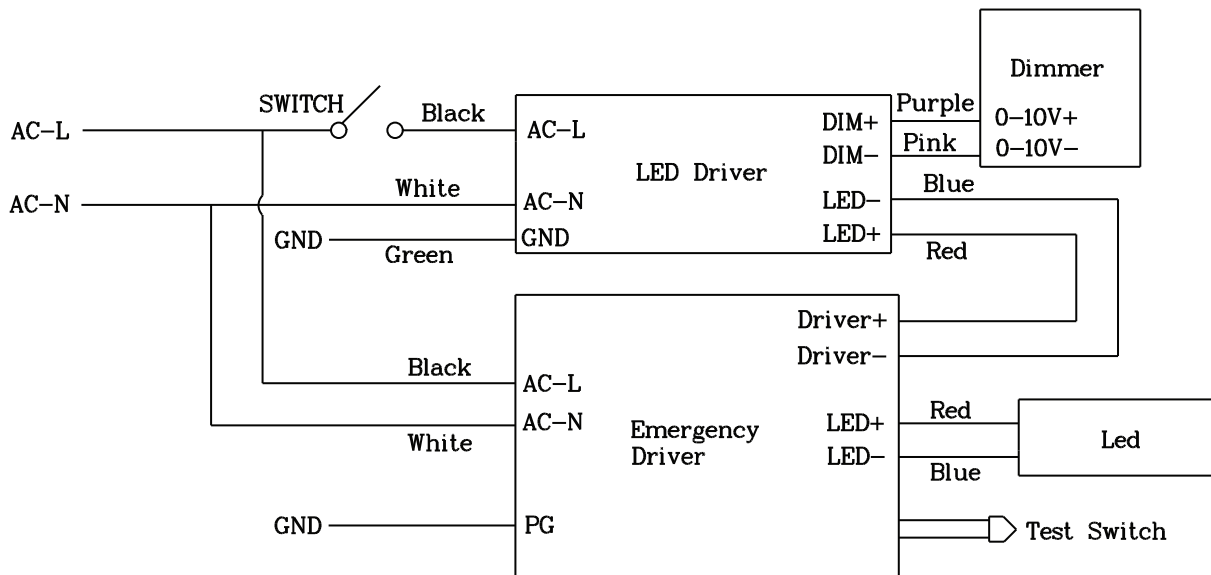
- Black: AC-L
- White: AC-N
- Yellow/Green: Grounding
- Purple: Dim +
- Pink: Dim-

★ Cap off purple and pink wires if dimming is not required.

Connection Diagram



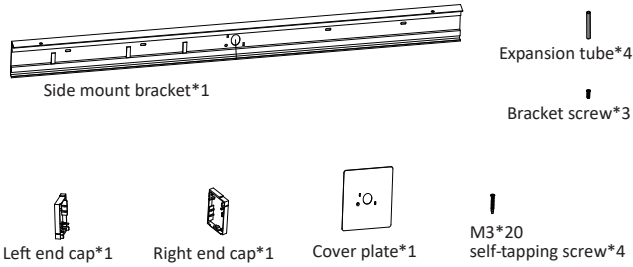
With Motion Sensor



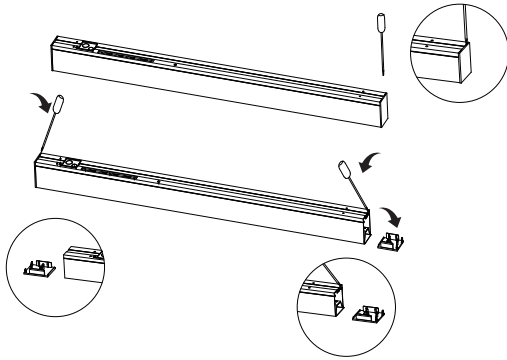
With EM Back-up

Wall Mount

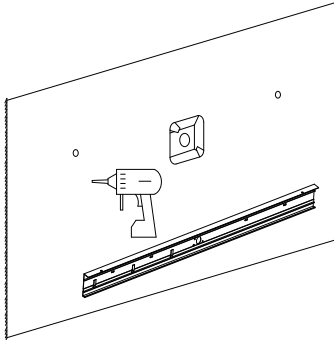
STEP 1 Open the accessory package, take out the accessories as follows



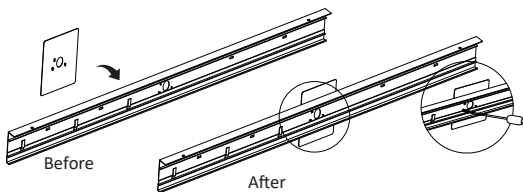
STEP 2 Take out the fixture, and use a flat-head screwdriver (not provided) to pry off the two end caps.



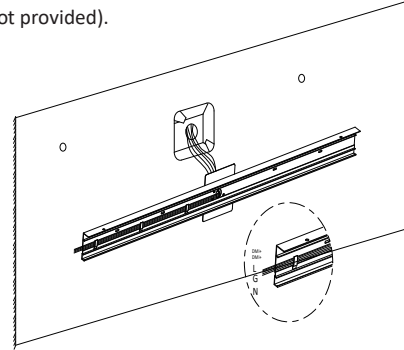
STEP 3 Drill holes on the wall according to the hole position of the mount bracket.



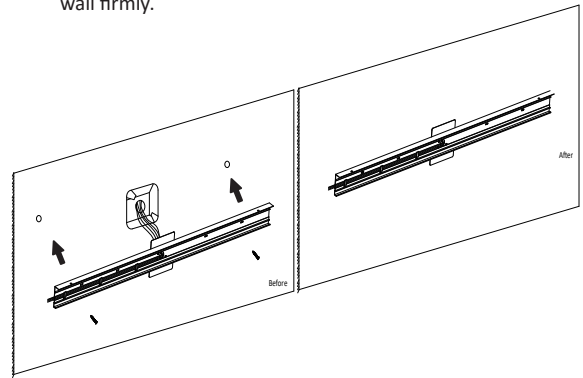
STEP 4 Fix the cover plate to the bracket by 3 screws (provided).



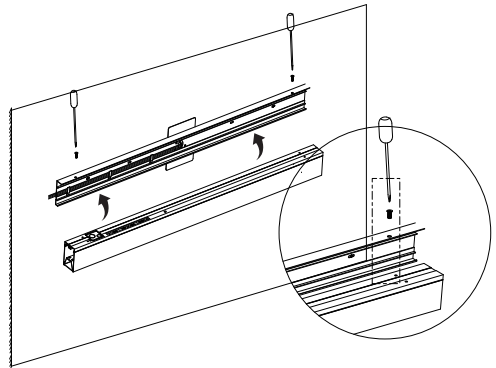
STEP 5 Feed the power cord through the cover plate from the junction box (not provided).



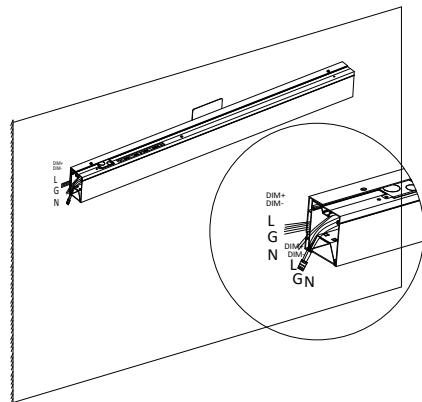
STEP 6 Use self-tapping screws (provided) to fix the bracket to the wall firmly.



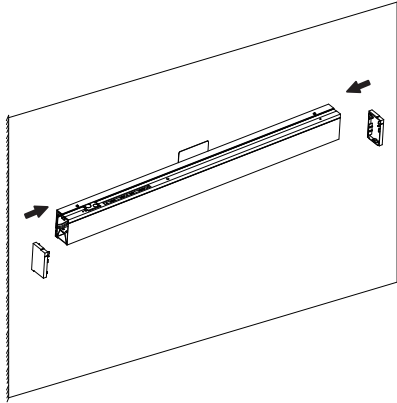
STEP 7 Use self-tapping screws (provided) to fix the fixture to the bracket.



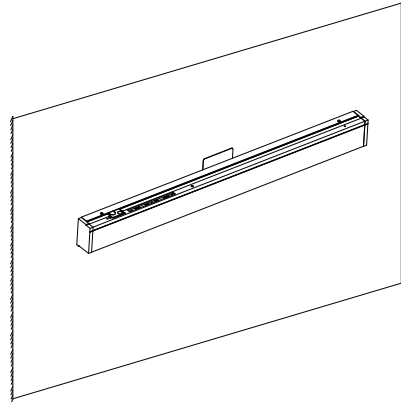
STEP 8 Wiring connection, insert the wires into existing wiring connector of the fixture. Black=Line, White=Neutral, Yellow/Green=Green, Purple=Dim+, Pink=Dim-.



STEP 9 Take out the new end caps from the accessory bag, fix them firmly to the fixture according to the left and right directions.

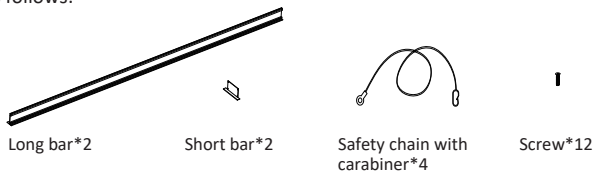


STEP 10 Turn on the electricity to verify your successful installation.

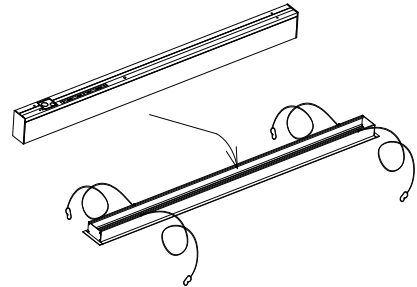


Frame Recessed Mount

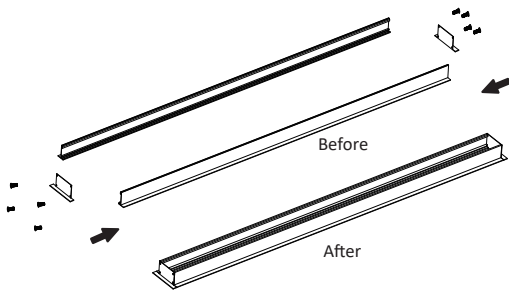
STEP 1 Open the accessory package, take out the accessories as follows:



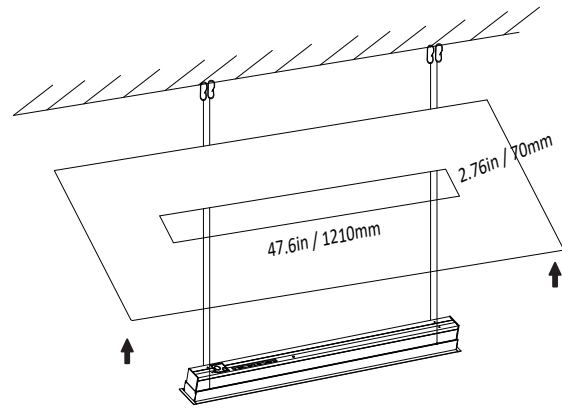
STEP 4 Put the fixture into the ready-frame.



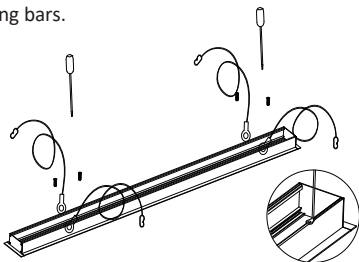
STEP 2 Assemble the long bar and short bar with the screws (provided).



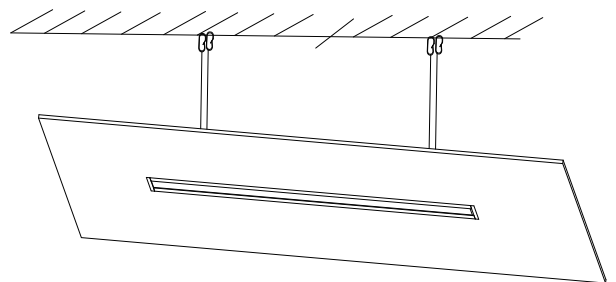
STEP 5 Drill holes in the plasterboard according to the requirements, fix the frame on the ceiling through the plasterboard, and adjust the height.



STEP 3 Use screws (provided) to fix the safety chain to the sides of the long bars.

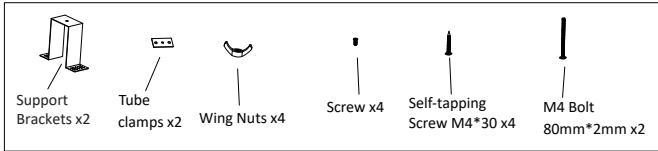


STEP 6 Turn on the electricity to verify your successful installation.

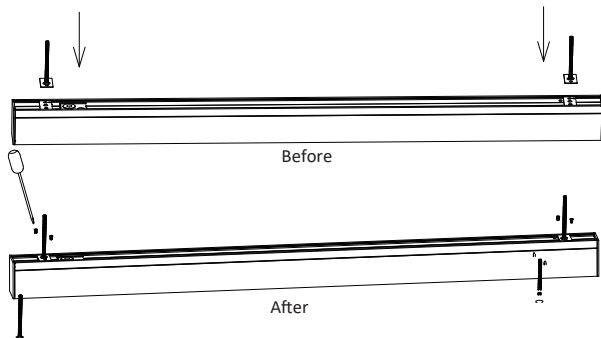


Frameless Recessed Mount

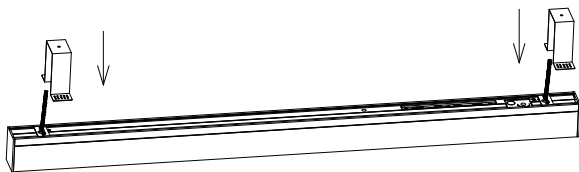
STEP 1 Open the accessory package, take out the accessories as follows, the threaded rod and two disc nuts have been installed on the tube clamp in the factory.



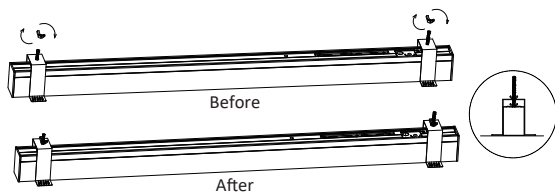
STEP 2 Secure the Tube Clamps (x2) to the back of the fixture using the Screws (x4).



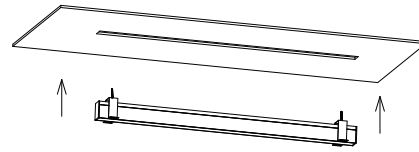
STEP 3 Screw the Support Brackets (x2) into the M4 Bolts (x2).



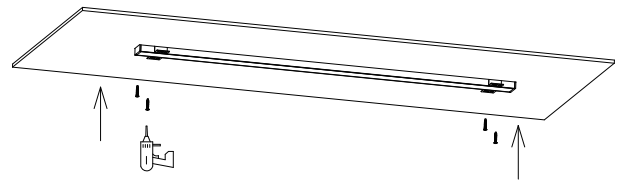
STEP 4 Adjust the height of the fixture to be level, then tighten using the wing nuts (x2).



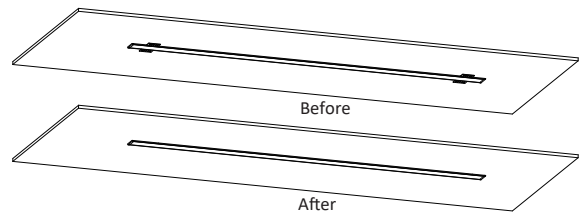
STEP 5 Put the fixture into the ceiling.



STEP 6 Use the Self-tapping Screws (x4) to secure the Support Brackets (x2) to the ceiling



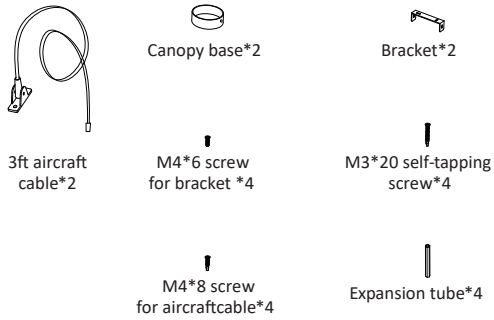
STEP 7 Paint around the brackets to match the ceiling.



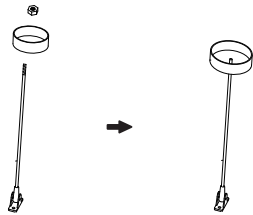
STEP 8 Turn on the electricity to verify your successful installation.

Suspension Mount

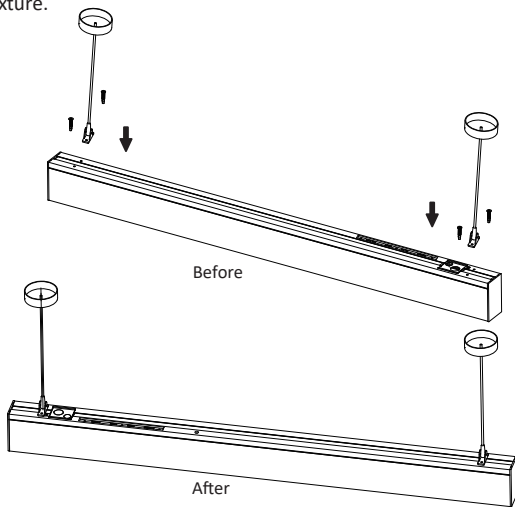
STEP 1 Open the accessory package, take out the accessories as follows:



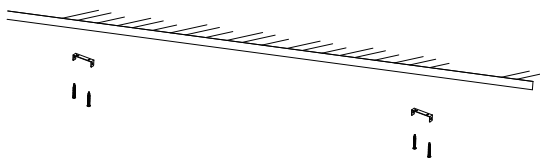
STEP 2 Take out the canopy base, feed the aircraft cable in and fix it.



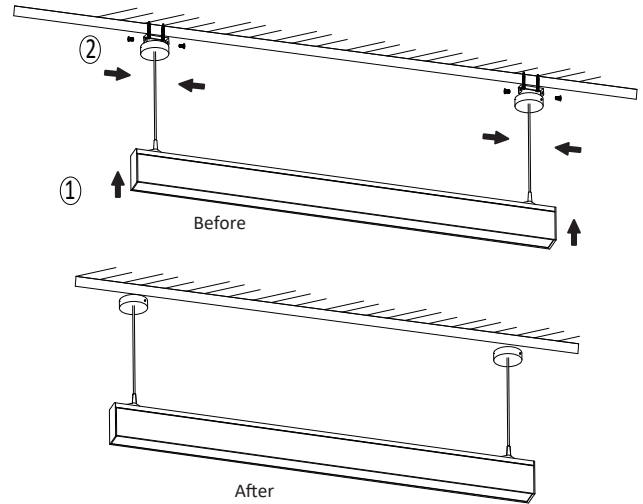
STEP 3 Use self-tapping screws (provided) to fix the suspension cable to the fixture.



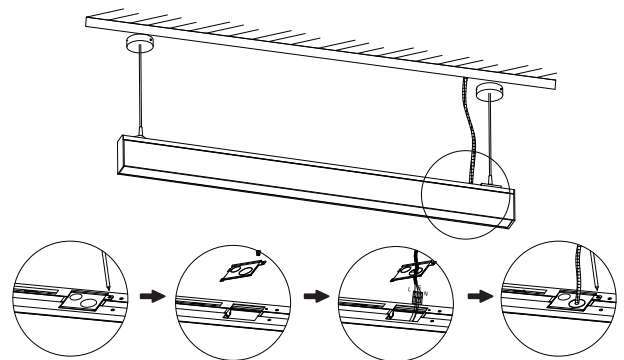
STEP 4 Use self-tapping screws (provided) to fix the brackets on the ceiling.



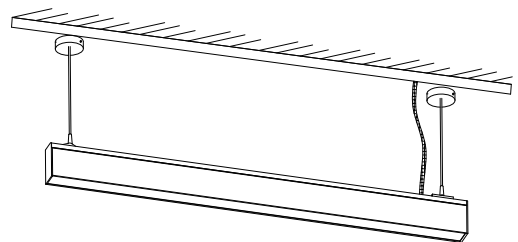
STEP 5 Use self-tapping screws (provided) to fix the canopy kit to the bracket.



STEP 6 Open the back lit cover on the fixture by unscrew the screw, take out the AC power cord and make wiring connection, Black=Line, White=Neutral, Yellow/Green=Ground, Purple=Dim+, Pink=Dim-. Then lock the back lit cover with screw.

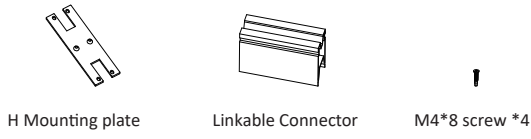


STEP 7 Turn on the electricity to verify your successful installation.

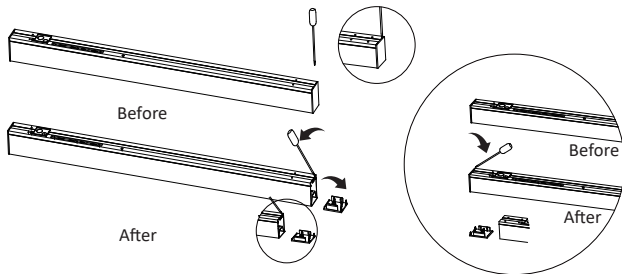


Series Connection

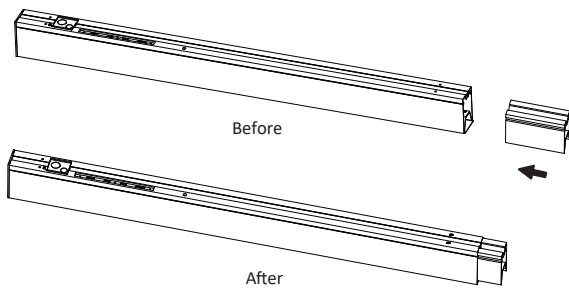
STEP 1 Open the accessory package, take out the accessories as follows:



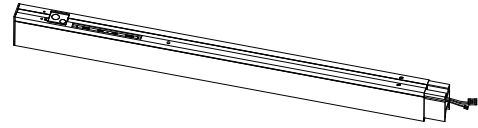
STEP 2 Remove the left end cover of one fixture, then remove the right end cover of another fixture which need to be joined together.



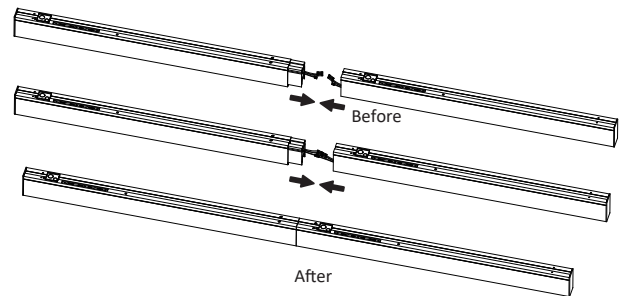
STEP 3 Slide in one end of the connector into the fixture.



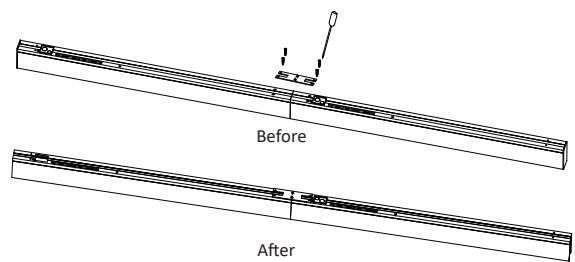
STEP 4 Feed the 3pin male/female power cable connector and 2pin male/female dimming wire connector through the linkable connector.



STEP 5 Take out the 3pin male/female power cable connector and 2pin male/female dimming wire connector from the linkable fixture, and plug the fast connectors, 3pin/3pin, 2pin/2pin. Then slide the linkable fixture into the connector and push forward till there's no gap between the fixtures.

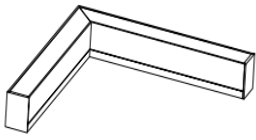


STEP 6 Fix the H mounting plate (provided) on the top with 4 screws(provided). The connection is done, turn on the power to verify your successful installation.

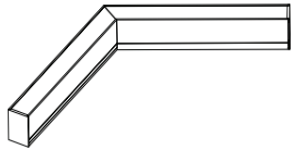


★ The maximum continuous run current is limited to 5 amps.

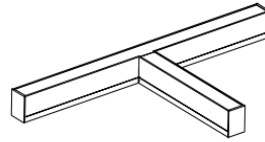
Connector Kit



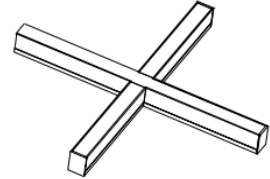
L Connector 90deg
40W



L Connector 120deg
40W

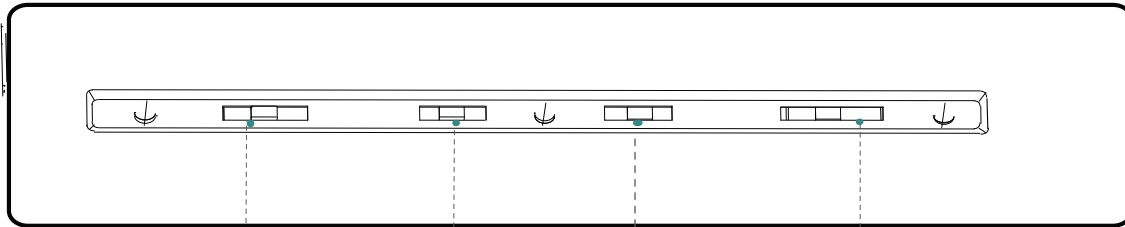


T Connector
60W



X Connector
80W

DIP Switches Guide



CCT Selectable
30K/35K/40K/50K/57K(preset at 50K)

Watt Selectable
L(90deg): 40W 35W 30W 25W(preset at 40W)
L(120deg): 40W 35W 30W 25W(preset at 40W)
T: 60W 55W 50W 45W(preset at 60W)
X: 80W 75W 70W 65W(preset at 80W)

Up&Down Light Distribution

- ① Up: 100% & Down: 0%
- ② Up: 70% & Down: 30%
- ③ Up: 50% & Down: 50%
- ④ Up: 30% & Down: 70% (preset)
- ⑤ Up: 0% & Down: 100%