



AC110V/220V HIGH VOLTAGE LED STRIP

Features:

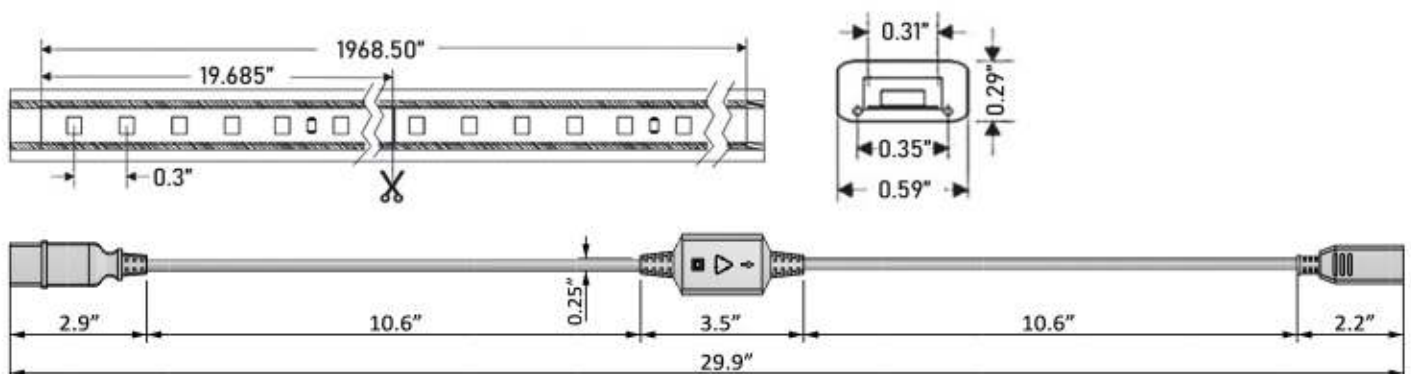
- 110/220V AC/60Hz constant voltage strips, dimmable
- Solderless connector or terminal wires connection
- Minimum 1.6 ft/12 ft cut, maximum continuous run 164 ft.
- Standards: UL2388/CSA C22.2#37
- Fixed by mounting clip or groove
- >50,000 hours at L70
- 6 steps MacAdam ellipse binning



Applications:

- Home lighting and corner lighting
- Building exterior contour accentuation
- Decorative applications
- Auxiliary lighting
- Work lighting

Dimensions:





Technical Specifications:

Power	10W/m
Voltage	100-130VAC / 200-240VAC
Luminous	1400LM/m
CRI	>80
Min. Cut unit	1.6 ft / 12 ft
Temperature	WW/NW/CW/R/G/B
Length	164 ft
IP rating	IP65
Lifetime	50,000 Hours
Certificate	ETL,CE,RoHS

Ordering Guide:

Example: STP-120V-6000K-YH-30M

LED Strip	Voltages	Color Temperature	Vendor	Length
STP	120V	<input type="text"/>	YH	30M
		3000K 4000K 6000K		