

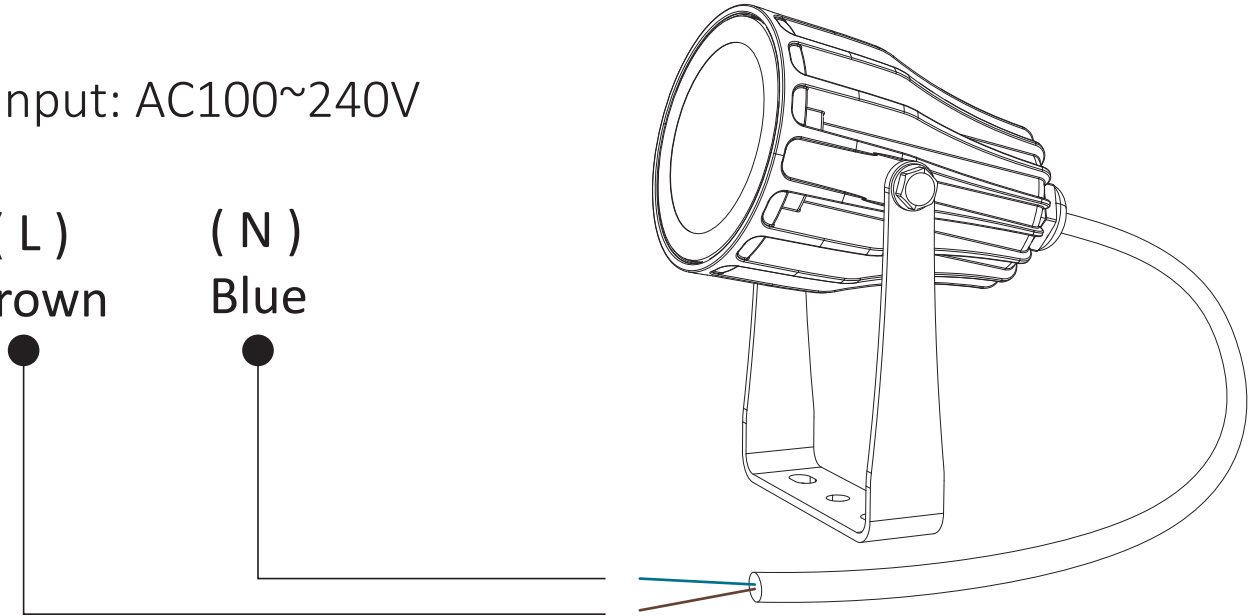
6W RGB+CCT SMART LED GARDEN LIGHT INSTALLATION INSTRUCTIONS

Connection diagram:

Input: AC100~240V

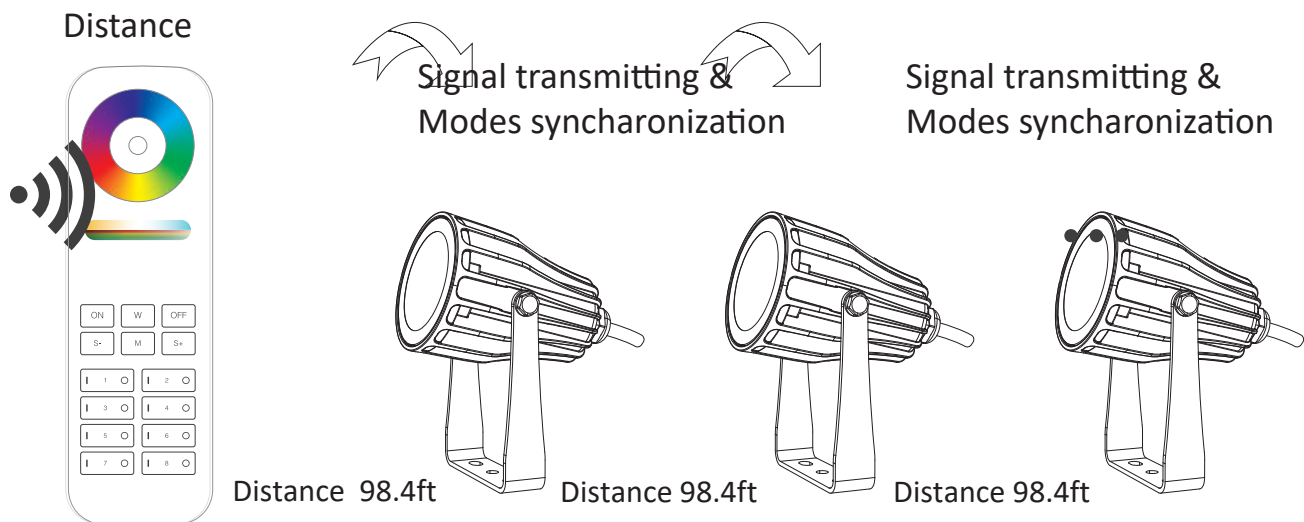
(L)
Brown

(N)
Blue



Modes synchronization

Different garden light can work synchronously when they are started at different times, controlled by the same remote, under same dynamic mode and within 98.4ft distance.

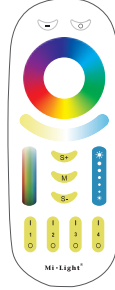


Link/Unlink:



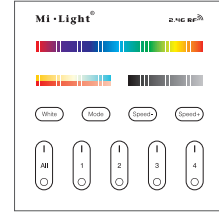
LED CITY P/N: MILI-REM-RGBWW-8Z

Add



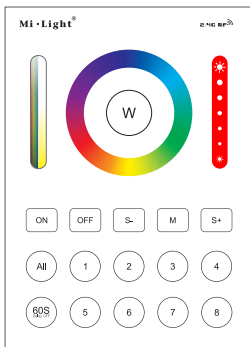
LED CITY P/N: MILI-REM-RGBWW

Add



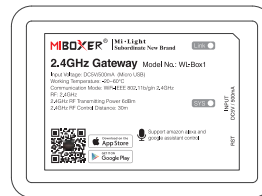
LED CITY P/N: MILI-REM-WALL-4Z

Add



LED CITY P/N: MILI-REM-RGBWW-WALL-8Z

Add



LED CITY P/N: MILI-WIFI-BRIDGE-G2

Add

NOTE:

Lighting can be working after linking with remote;
for more details, please read the remote instruction.

Attention:

1. When install the lighting fixtures, please switch off the power to make sure the safety.
2. Please check whether the input voltage supply is in accordance with the lighting fixtures.
3. Non-professional user cannot dismantle the lighting fixtures directly, otherwise, it may cause fire and electric shock.
4. The working temperature is -20-45°C; do not use the device to direct sunlight, moist and other high temperature area.
5. Please do not use lighting fixtures around the mental area and high magnetic field, otherwise, it will badly affect the control distance.
6. Users must be correct, strict and solid to install the lighting fixtures; do not use the lighting fixtures on strenuous vibration area.
7. The lighting fixtures will be heating on working, please do not cover the lighting housing.

Attention

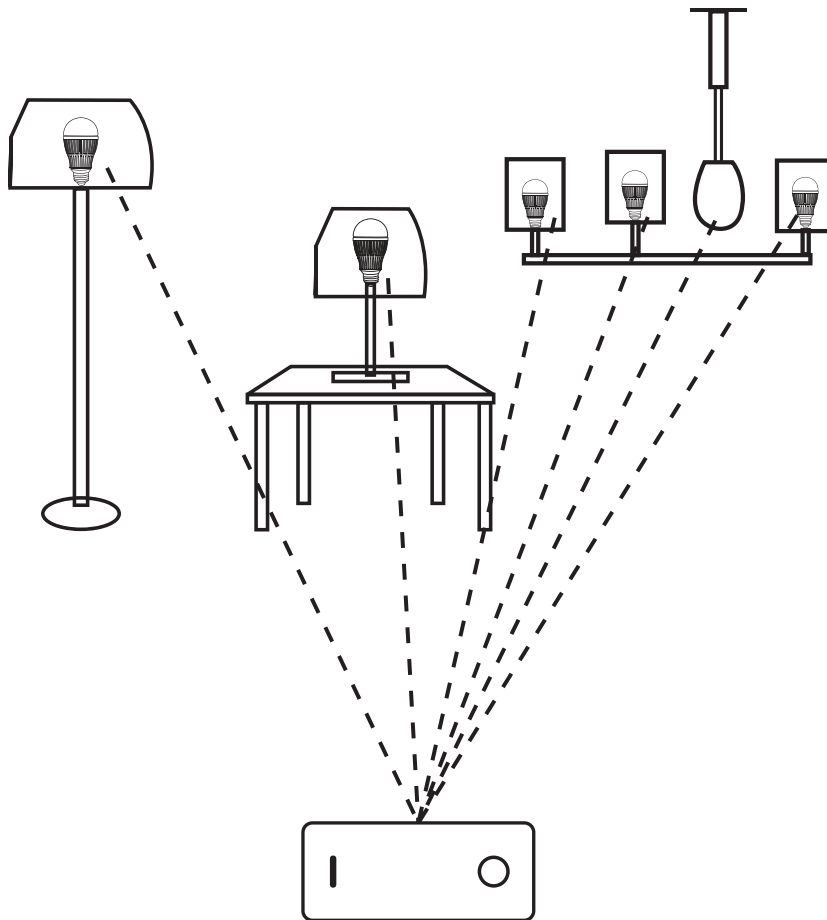
www.ledcityusa.com

Made in China

Remote specification and pairing

Features:

This product adopt world-wide used 2.4GHz frequency, GFSK control method, with the features of low power consumption, long distance transmitting, strong anti-interference and fast communication rate; can control specified Mi-Light smart light with color, color temperature, saturation and brightness changing



This remote controller is with 8 zones,
each zone can control countless lights.

Parameters:

Model No.: FUT089

Voltage: 3V(AAA * 2PCS)

Transmitting Power: 6dBm

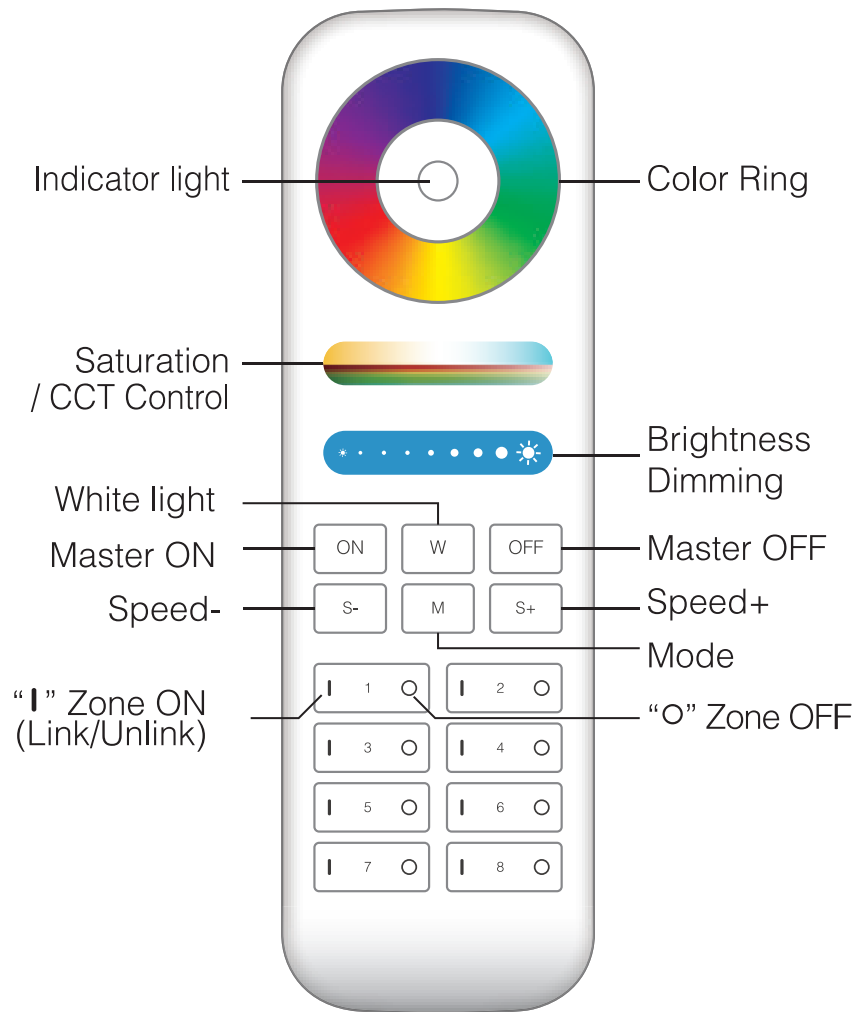
Standby Power Consumption: 15uA

Transmission Frequency: 2400-2483.5MHz

Modulation Method: GFSK

Control Distance: 98.4ft

Size: 6.02*1.85*0.74in.



Link/Unlink:

Link:

Turn off the power, then turn on again after 5 seconds, press “ | ” 3 times within 3 seconds. The LED light blinks 3 times slowly when it is done.

Unlink:

Turn off the power, then turn on again after 5 seconds, press “ | ” 5 times within 3 seconds. The LED light blinks 10 times swiftly when it is done.

Caution:

1. 8-zone remote controller only control specified Mi-Light products; not all Mi-Light series can work on this remote controller.
2. In the using of the remote, if the indicated lamp blinking quickly, pls change the battery in time.
Pls don't use poor quality battery to avoid the leaking of battery liquid to damage the remote controller.
3. This 2.4GHz remote control system is precise electronic product; don't use it in humid, high temperature, dust and high voltage environment; Saving it at indoor, dry and no static electricity environment.
4. Pls don't use the remote controller on the wide-range metal or strong electromagnetic wave area, otherwise, it will badly affect the controlling distance.



Made in China