

# 5" OR 7" ROUND SURFACE MOUNT CEILING WAFER LED LIGHT

### Description:

Our Round Surface Mount Wafer Light is available in two sizes, 5" or 7". It offers CCT Adjustable options, enabling you to select from color temperatures of 3000K, 4000K, or 6000K. With compatibility for both a junction box or a housing can (both sold separately), offering flexible installation possibilities.



### Features:

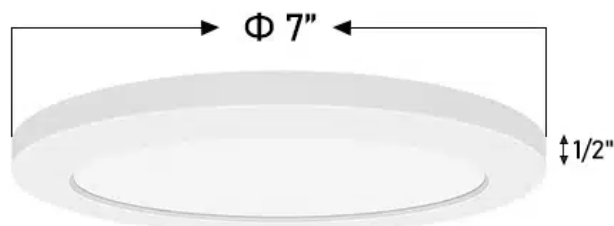
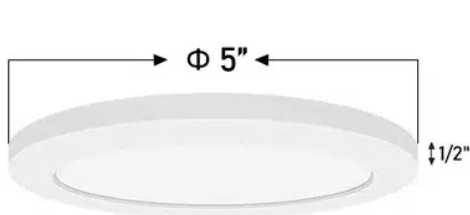
- CCT Adjustable: 3000K/4000K/6000K
- Brightness: 840lm
- Overload/Short Circuit Protection
- Lumen Efficacy: 70 LM/W
- Lifespan: 80,000 hours
- Dimmable: Yes (TRIAC)
- Warranty: 5 years



### Applications:

- Residential Lighting
- Commercial Lighting
- Office Lighting

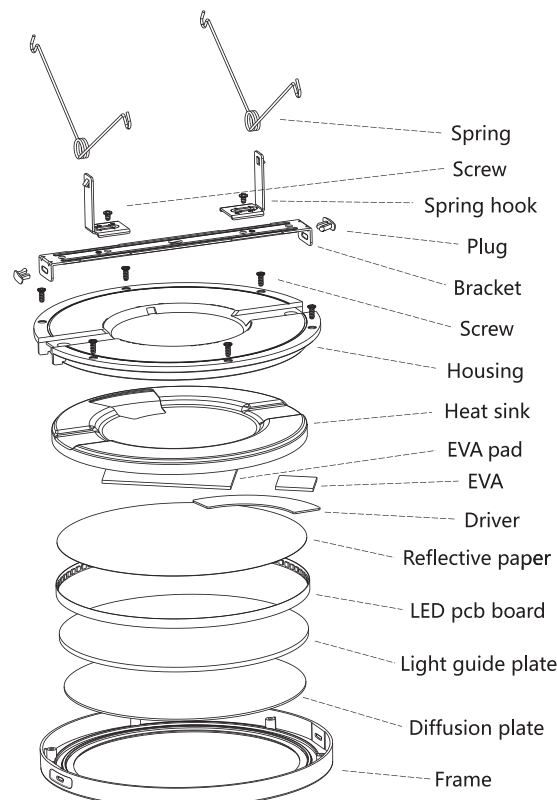
### Dimensions:



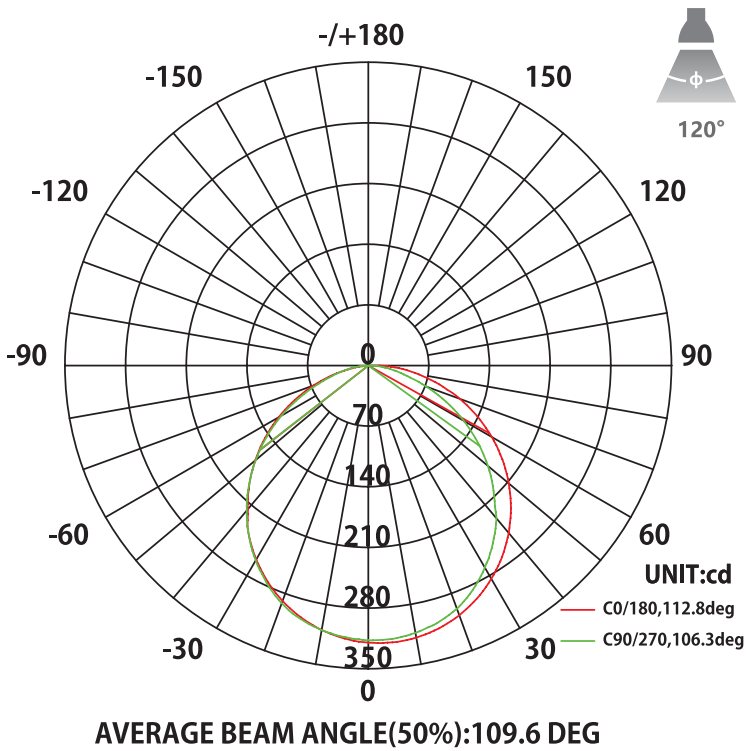
### Technical Specifications:

Size	5 inch	7 inch
Wattage	6W	12W
Input Voltage	120V AC	120V AC
Color Temperature	CCT Tunable (3000K/4000K/6000K)	CCT Tunable (3000K/4000K/6000K)
Lumen Output	630 lumens	630 lumens
Fixture Weight	0.5 lb	0.8 lb
Fixture Dimensions	Φ5 x H0.5 in.	Φ7 x H0.5 in.
Packaging Weight	0.7 lb	1 lb
Packaging Dimensions	6.5 x 5.5 x 2 in.	7.5 x 8 x 2 in.
Working temperature	-4°F to 104°F (-20°C to 40°C)	-4°F to 104°F (-20°C to 40°C)
Dimming Type	Triac Dimmable	Triac Dimmable
Beam Angle	120°	120°
CRI	>80	>80
IP Rating	IP20	IP20
Lifespan	80,000 hours	80,000 hours
Certifications	Energy star, ETL, FCC	Energy star, ETL, FCC
Warranty	5 years	5 years

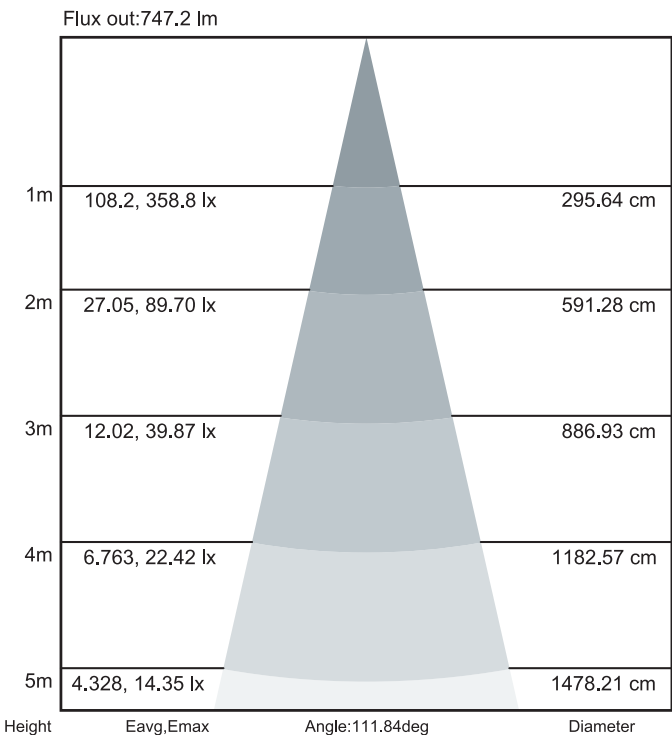
### LED Light Structure:



**Polar Curvers Wide Distribution:**



**Average and Center Figure:**



Note: The Curves indicate the illuminated area and the average illumination when the luminaire is at different distances.



**ORDERING GUIDE**

Example: NUR-SLSM-R-5-6W-CCT

Round Surface Mount Ceiling NUR-SLSM-R	Trim Size [ ]	Watts	Color Temperature CCT
	5      5 inch 7      7 inch	6W   6 Watts 12W 12 Watts	