

4 ZONE RGB+CCT SMART PANEL

Description:

This product is used to control other ORA products with a 2.4GHz high RF signal. It can control brightness, color, color temperature (CCT) of compatible ORA products linked with it's four zones.



Features:

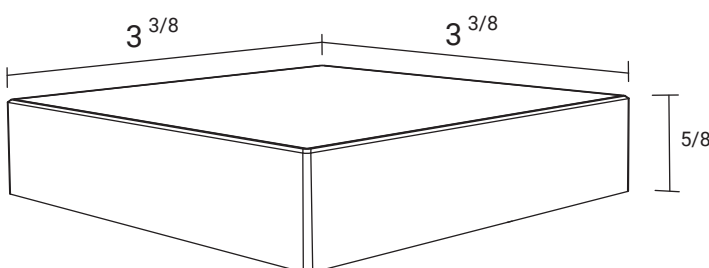
- Uses RF 2.4GHz wireless communication with compatible devices
- Compatible with ORA LED controllers for RGB, RGBW, and RGB+CCT
- Compatible with ORA SMART GATEWAY for smartphone control
- Compatible with ORA Smart Bulbs
- Wireless range of up to 98.4 ft without obstruction
- Synchronized control and pairing with multiple devices
- Uses high-precision touching controls
- Control RGB color selection with Color Slider
- Control brightness with Smooth Dimming Control
- Control color saturation, mixing colors with white do make different hues
- Control Speed for Dynamic Mode options
- Choose between 10 Dynamic Mode options
- Low power consumption, requires 2 AAA batteries (sold separately)



Applications:

- Home lighting control
- Commercial lighting control
- Event lighting control
- Photography and videography lighting control
- Allows for easy customization of lighting

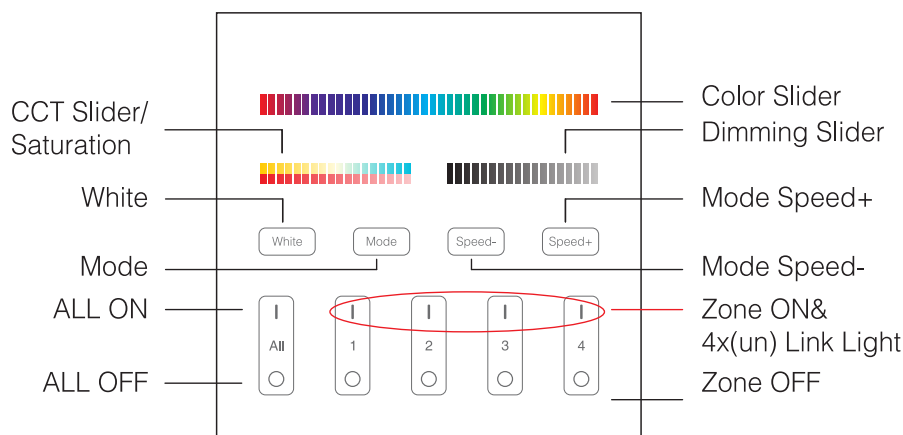
Dimensions:



Technical Specifications:

Model No.	MILI-REM-RGBWW-WALL-4Z
Voltage	3V(AAA *2PCS)
Transmission Frequency	2.4GHz
Modulation Method	GFSK
Transmitting Power	6dBm
Standby Power Consumption	20uA
Control Distance	98.4 ft MAX

Product Key Diagram:



Touch color slider, choose the color you want.



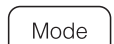
Under white light mode, adjust color temperature;
Under color light mode, change color saturation.



Touch dimming slider to change the brightness from 1~100%.



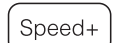
Touch white button to white light mode.



Switching modes.



Slow the speed on while dynamic mode is active



Accelerate the speed while dynamic mode is active



ALL ON: Touch to turn on all linked lights.
Long press 5 seconds to turn ON the indicating sound.
Zone(1-4) ON: Touch zone ON, turn on zone-linked lights.



ALL OFF: Touch to turn off all linked lights.
Long press 5 seconds to turn OFF the indicating sound.
Zone(1-4) OFF: Touch zone OFF, turn off zone-linked lights.

Compatible Devices:



ORA 3 in 1 LED Strip Light Controller (RGB, RGBW, RGBCCT)
MILI-CONT-3IN1-RGBXX



ORA SMART GATEWAY
Smartphone Control
MILI-WIFI-BRIDGE-G2

ORA RGB+CCT Bulbs

- SKU: MILI-PAR38-10W-RGBCB
- SKU: MILI-MR16-4W-RGBCB
- SKU: MILI-GU10-4W-RGBCB
- SKU: MILI-A21-12W-RGBCB
- SKU: MILI-A19-9W-RGBCB
- SKU: MILI-A16-6W-RGBCB

ORA RGB+CCT Garden Lights

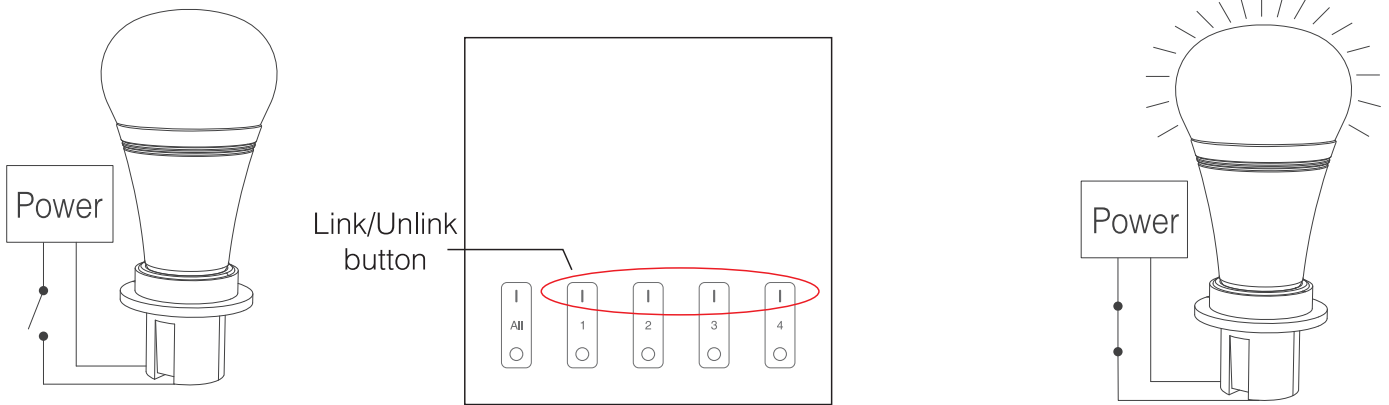
- SKU: MILI-GL-100W-RGBCB-OD-120V
- SKU: MILI-GL-50W-RGBCB-OD-120V
- SKU: MILI-GL-9W-RGBCB-OD-24V
- SKU: MILI-GL-9W-RGBCB-OD-120V
- SKU: MILI-GL-6W-RGBCB-OD-120V
- SKU: MILI-GL-15W-RGBCB-OD-120V

ORA RGB+CCT Flood Lights

- SKU: MILI-FL-50W-RGBCB
- SKU: MILI-FL-30W-RGBCB
- SKU: MILI-FL-10W-RGBCB
- SKU: MILI-FL-100W-RGBCB

Linking & Unlinking:

Linking Instructions

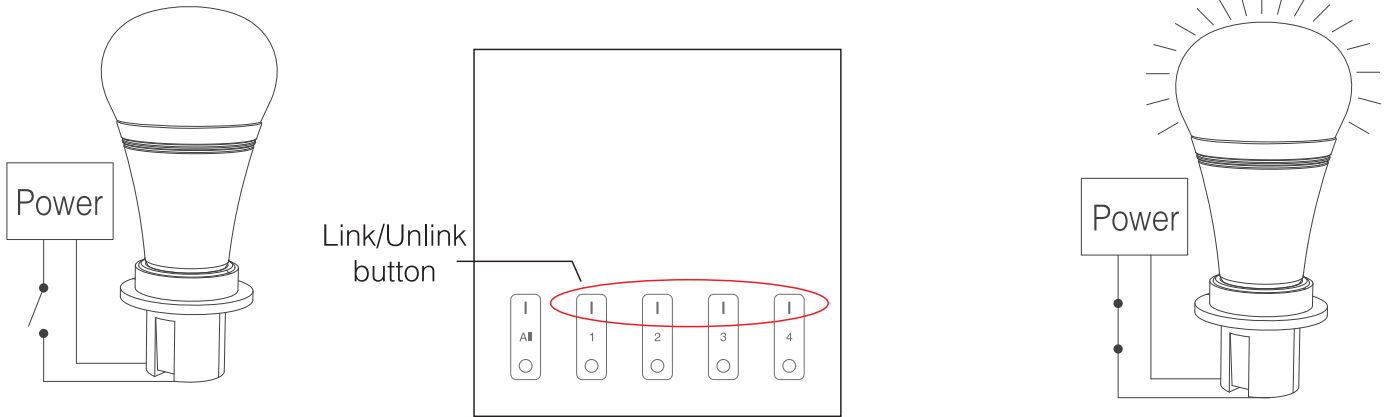


- 1** Switch off power to the device, after 10 seconds switch power back on.
- 2** The light will flash Red light if it is not linked, Green if it is linked to any device
- 3** As soon as the light has power, and while it is flashing, quickly press any "Zone ON" button 3 times within 3 seconds. This assigns that device to the chosen Zone. Multiple devices can be controlled in the same zone
- 4** When the light flashes Green light 3 times you have successfully linked the device to the remote.



If the light did not blink 3 times , the linking attempt failed. Please switch off the light again, and follow the above steps again.

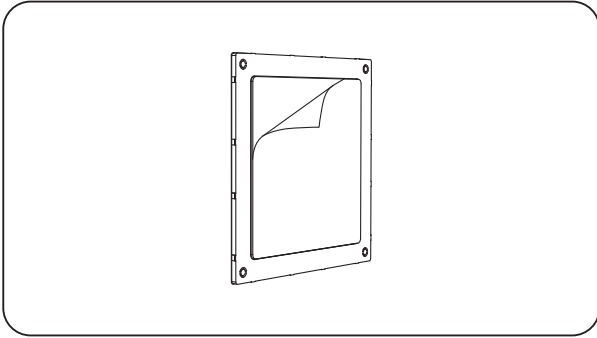
Unlinking Instructions



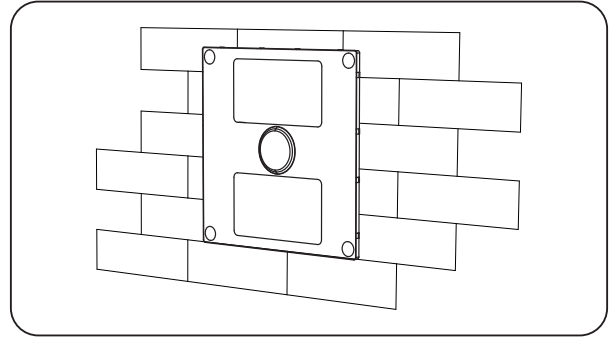
- 1 Switch off power to the device, after 10 seconds switch power back on
- 2 As soon as the light has power, and while it is flashing, quickly press the "Zone ON" button 5 times within 3 seconds. Un-linking must be done with the same Zone as linked to.
- 3 When the light flashes 10 times, you have successfully un-linked it from this remote.

⚠ If the light did not blink quickly, the unlink failed, Please switch off the light again, and follow the above steps to unlink again.

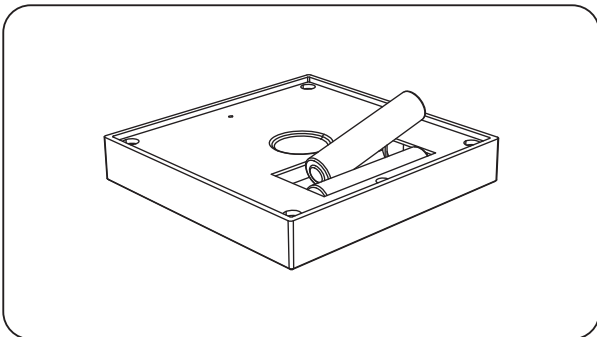
Installation:



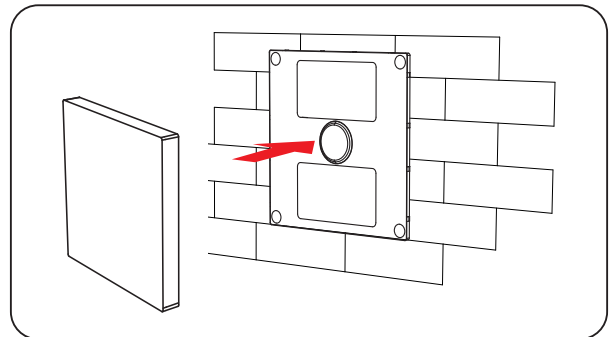
1. Use tape. TO ADHERE



2. Stick the holder on the position where you want.



3. Install 2*AAA battery.



4. Put the rotating switch on the front of holder.

Attention

1. This remote only controls specified ORA products; not all ORA series can work on this remote.
2. During the use of the remote, if the indicator light blinks rapidly after each command, it is time to change the battery.
3. Do not use this product in humid, high temperature, or dusty environments.
4. Using this product in an area where other RF signals are present may affect the effective distance of this product and timing of commands being sent/received.
5. NON-DIMMABLE. NOT FOR USE WITH ANY WALL DIMMER.

