

# T8 LED TUBE LIGHT BALLAST BYPASS

## Description:

Tube lighting is the most popular lighting source for general lighting in commercial applications, Whether it is a fluorescent T8, T10, or T12 tube, our LED tube can be used to replace it. These tubes do not require ballasts and are ideal for low-cost upgrades. When bypassing a ballast, our smart tube can be wired on both ends of the tube, or a single end with a non-shunted tombstone.



## Features:

- High luminous efficiency
- Aluminum heat sink allows for better heat dissipation
- Contains no mercury
- Longer life and low maintenance costs
- 2ft tube lights have bi-pin and RDC end cap options
- 8ft tube lights have single pin, Bi-pin, and RDC end cap options

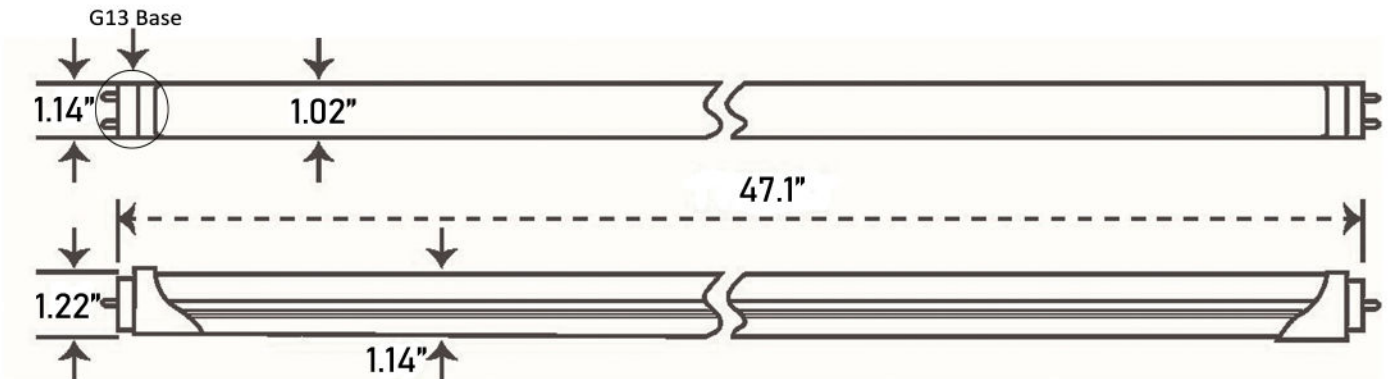


## Applications:

Can be used for all general lighting applications in:

- Warehouses
- Retail stores
- Hotels
- Office buildings
- Hospitals

## Dimensions:



## Technical Specifications:

<b>Length</b>	2FT	8FT
<b>Wattage</b>	9W	32W
<b>Input Voltage</b>	120-277 V AC	120-277V AC
<b>Lens Type</b>	Clear, Frosted	Clear, Frosted
<b>Color Temperature</b>	3000K, 4000K, 5600K	5000K
<b>Lumen Output (4000K Clear)</b>	925 lumens	N/A
<b>Lumen Output (4000K, Frosted)</b>	900 lumens	N/A
<b>Lumen Output (5000K, Clear)</b>	1000 lumens	3360 lumens
<b>Lumen Output (5000K, Frosted)</b>	950 lumens	3360 lumens
<b>CRI</b>	80	80
<b>Beam Angle</b>	120°	120°
<b>IP Rating</b>	IP20	IP20
<b>Life Time</b>	50,000 hrs	50,000 hrs
<b>Warranty</b>	5 Years	5 Years

### Sockets Options:

- SINGLE PIN
- BI-PIN
- RDC



- \* RDC adapter comes with Bi-Pin option
- \* Bi-Pin only use with 8ft

### Ordering Guide

Example: T8-2FT-3000K-CLR-SO

Fixture Type	Length	Color Temperature	Lens Type	Wiring Connection
<input type="text" value="T8"/>	<input type="text"/>	<input type="text"/>	<input type="text"/>	<input type="text" value="SO"/>
	2 ft. 8 ft.	3000K 4000K 5600K	CLR (Clear) FRS (Frosted)	(Single Out)

### Ordering Guide

Example: T8-TP-8FT-5000K-CLR-SO-OS

Fixture Type	Length	Color Temperature	Lens Type	Wiring Connection	Wiring Connection
<input type="text" value="T8"/>	<input type="text"/>	<input type="text"/>	<input type="text"/>	<input type="text" value="SO"/>	<input type="text" value="OS"/>
	8 ft.	5000K	CLR (Clear) FRS (Frosted)	(Single Out)	(Opposite Side Wiring)