

2 IN 1 LED CONTROLLER

Description:

The ORA 2 in 1 LED Controller can control NUR Single Color LED Strip, CCT LED Strip and NUR LED drivers. It works with compatible ORA remotes and you can also control it with your smartphone using the ORA Smart Gateway.

Features:

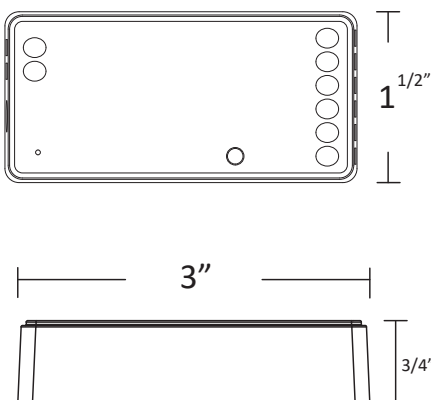
- Output connection to LED is Common Anode
- Receiver range: up to 98 ft without interference
- Smartphone App is available for iOS and Android, requires ORA Gateway, sold separately
- Third party voice control is supported through ORA Gateway
- Control single color or CCT strip lights
- Control brightness of strip lights



Applications:

- Decorative Lighting
- Accent Lighting
- Garden Lighting
- Landscape Lighting
- Cove Lighting
- Under Cabinet Lighting
- Vehicle/Boat Lighting

Dimensions:



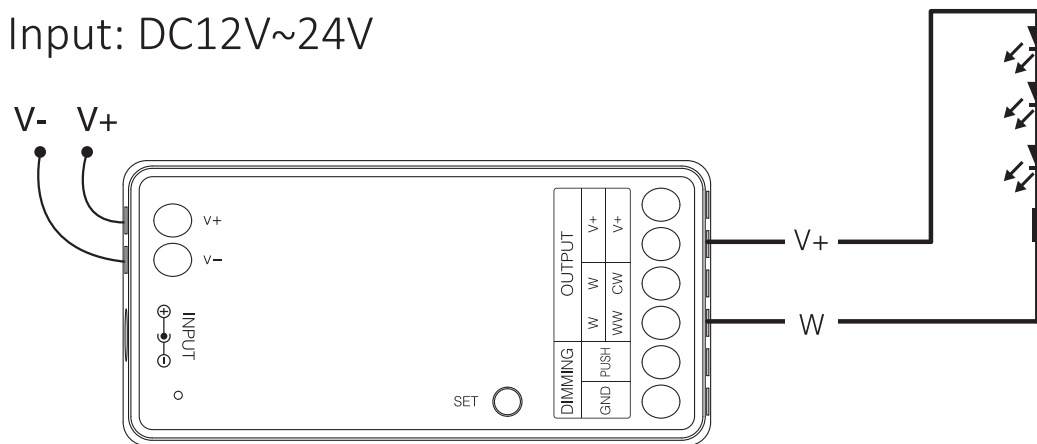
Technical Specifications:

Model No.	MILI-CONT-2IN1-CCT-DIM
Input Voltage	DC12V~24V
Output Channel	12A
Total Output(MAX)	12A
RF	2.4GHz
Working Temperature	14°F~104°F
Output Connection	Common Anode
Control Distance	98.4 ft

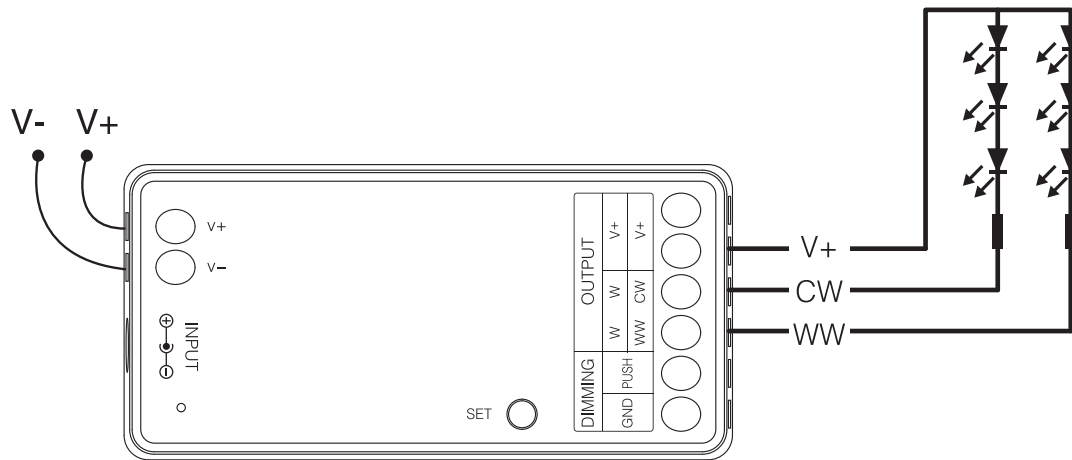
Compatible Devices:

- MILI-WIFI-BRIDGE-G2
- MILI-REM-CB
- MILI-REM-WALL-ROT-WHT
- MILI-REM-WALL-ROT-BLK
- MILI-REM-CCT-4Z(Panel)
- MILI-REM-DIM-4Z(Panel)

Installation:



Single Color Modes



Dual White Modes